


BEFORE YOU START

Please check the parts list before installation to ensure all parts are present. If there is anything missing or damaged, please directly contact us by e-mail for replacement parts.

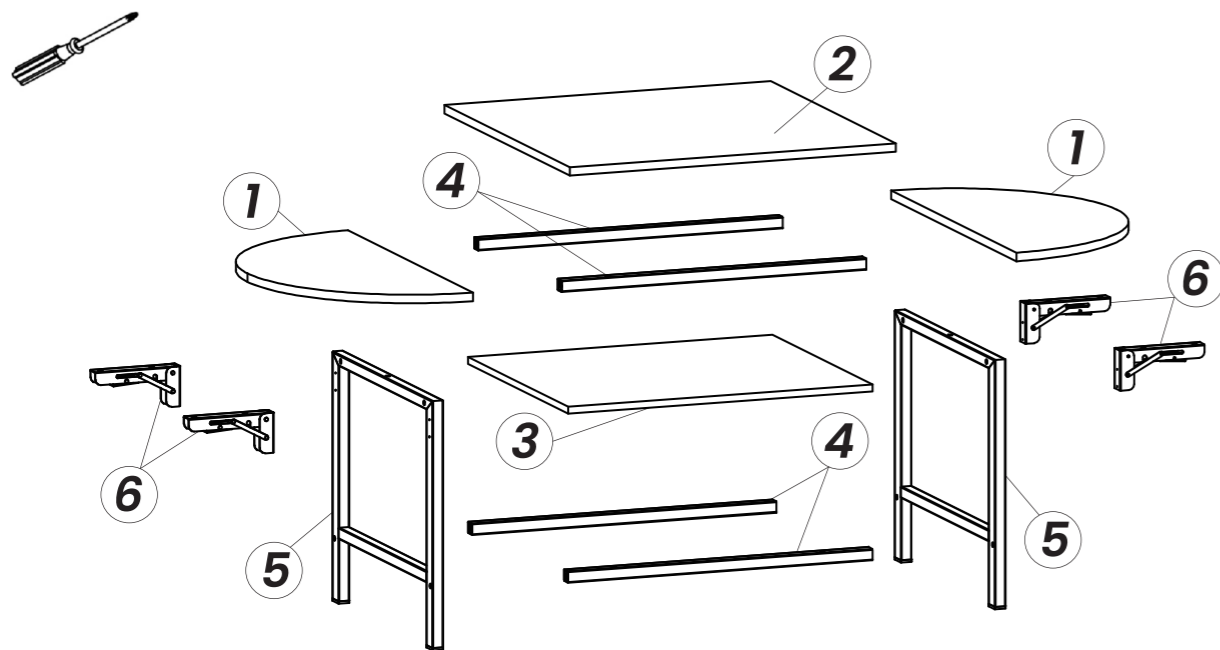
Participant: 

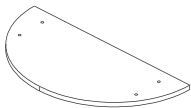
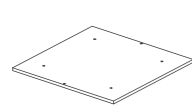
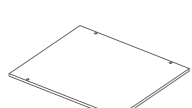

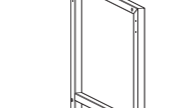
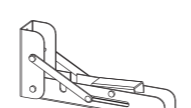
Required tools: 

PARTS LIST

A		M6* 30mm x8	B		M6* 25mm x10	C		M6* 10mm x8	D		M4* 10mm x8
----------	---	----------------	----------	---	-----------------	----------	---	----------------	----------	---	----------------

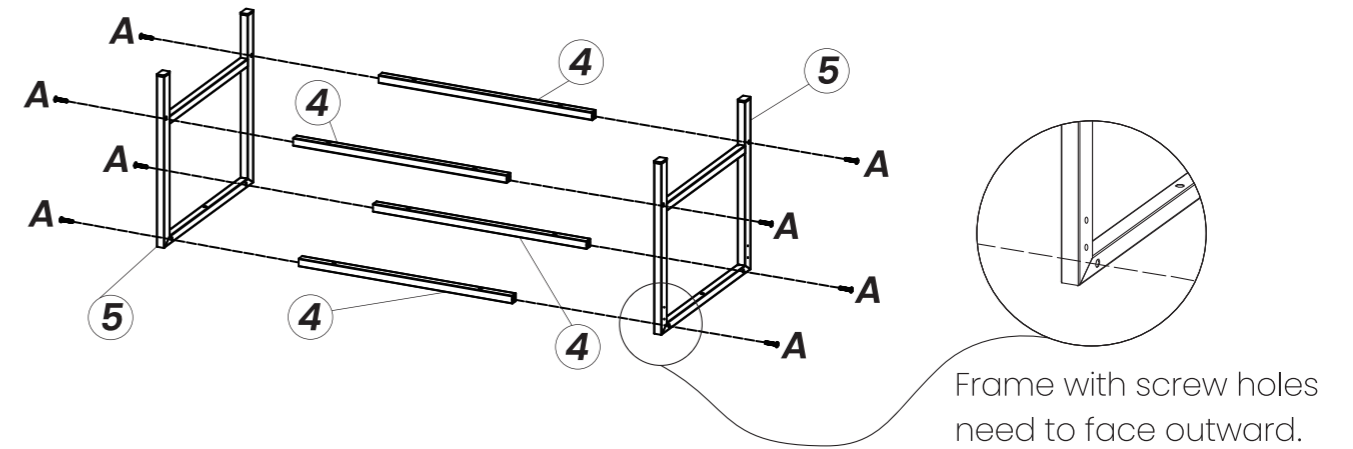
Screwdriver x1



1	2	3	4	5	6
					
2PCS	1PCS	1PCS	4PCS	2PCS	4PCS

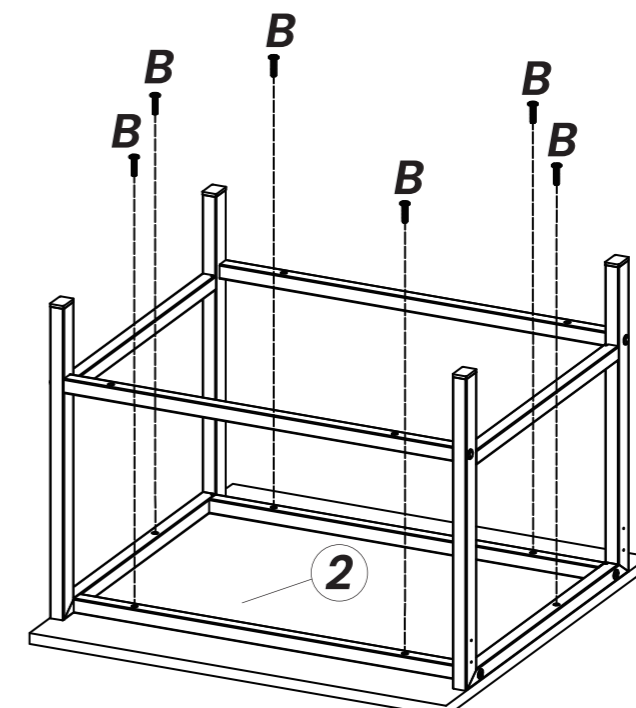
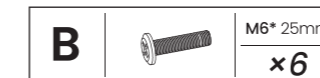
STEP 1

Please connect part ④ to part ⑤ with **Screw A**; do not completely tighten the screws.



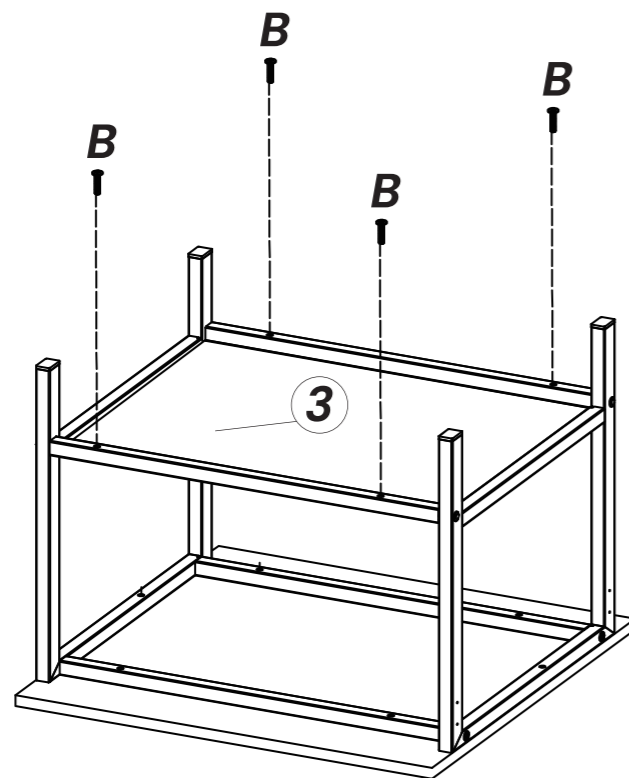
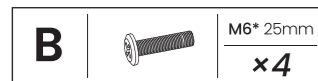
STEP 2

Connect part ④ to part ② with **Screw B**;



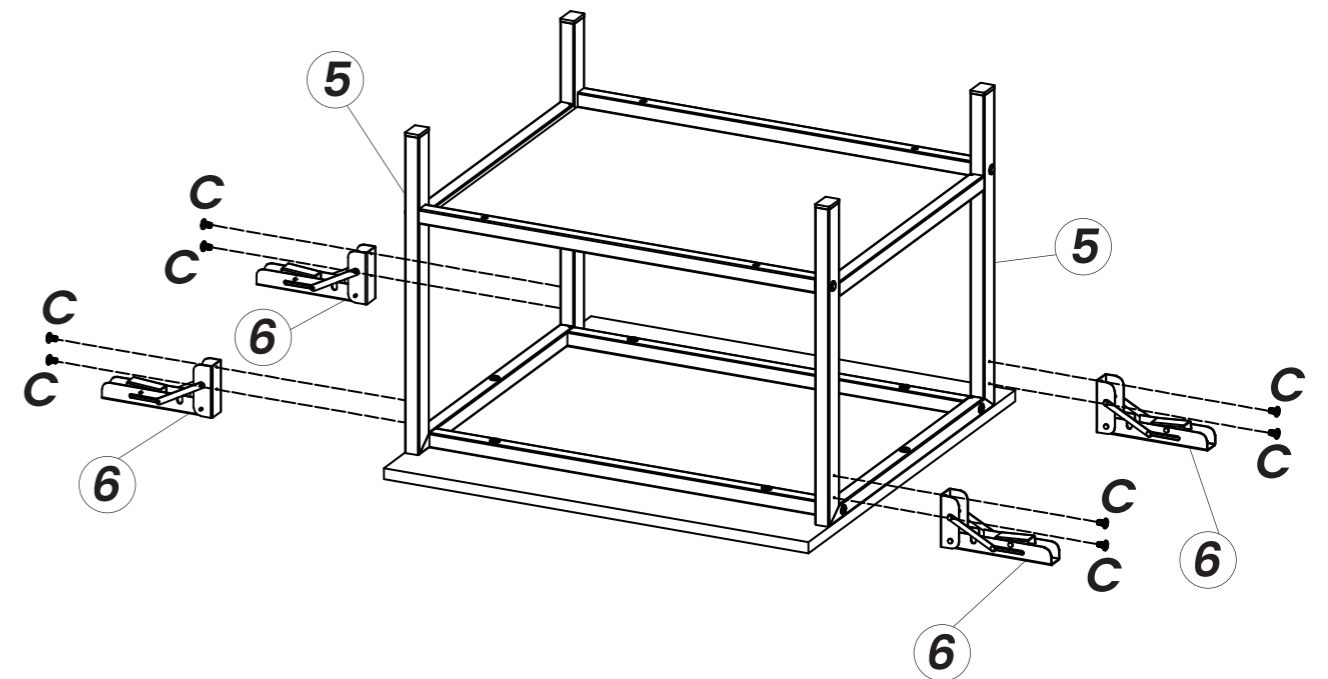
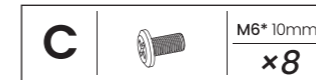
STEP 3

Place the tabletop ③ to part ④ with **Screw B**, tighten all screws in this step;



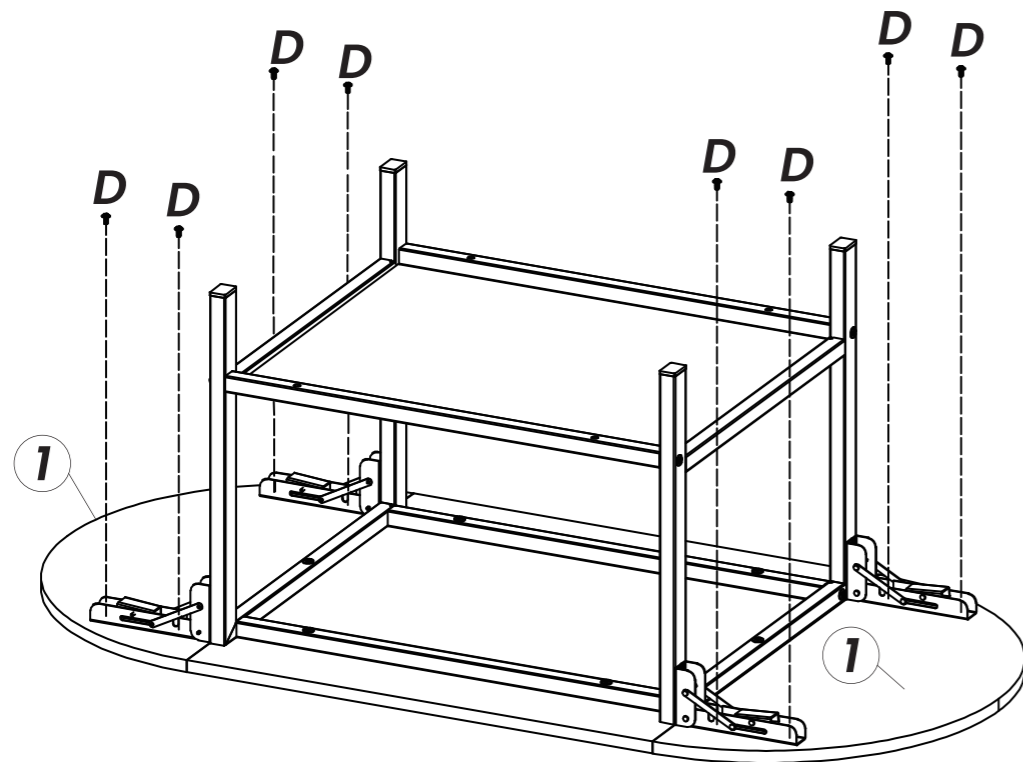
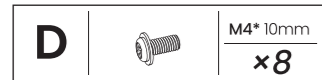
STEP 4

Connect Folding Brackets ⑥ to part ⑤ with **Screw C**;

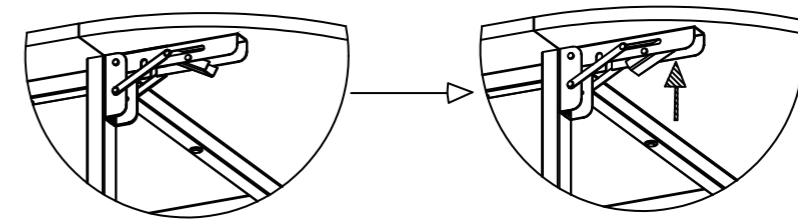
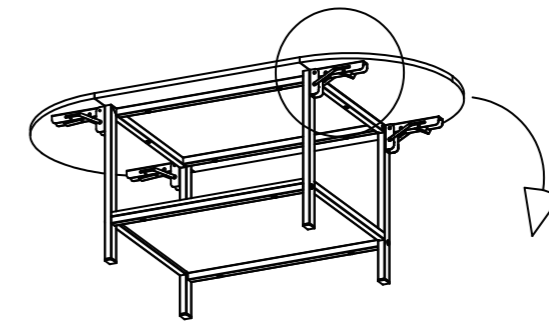


STEP 5

Attach tabletop ① to Folding Brackets ⑥ with screw D;



How to fold



Press the buttons on the folding brackets simultaneously with both hands to fold down the tabletop.

FINISH

Enjoy your new extended coffee table.

