







BEFORE YOU START

Please check the parts list before installation to ensure all parts are present. if there is anything missing or damaged, please directly contact us by e-mail for replacement parts.

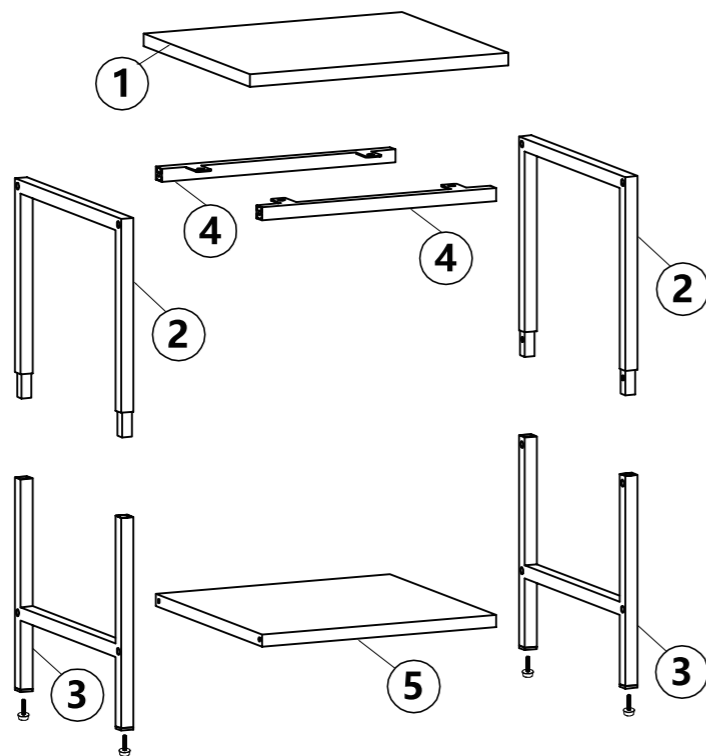
Participant: 

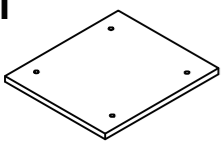
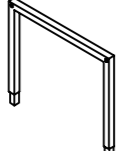
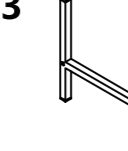
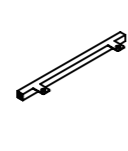
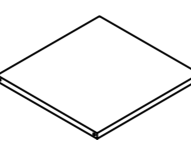
Required tools: Allen Wrench

PARTS LIST

A		M6 x 10 X 8	B		M6 x 25 X 4	C		M13 x 1.5 X 4
D		M4 X 1	E		M7 x 50 X 4	F		Ø19x15xM6 X 4




Allen Wrench

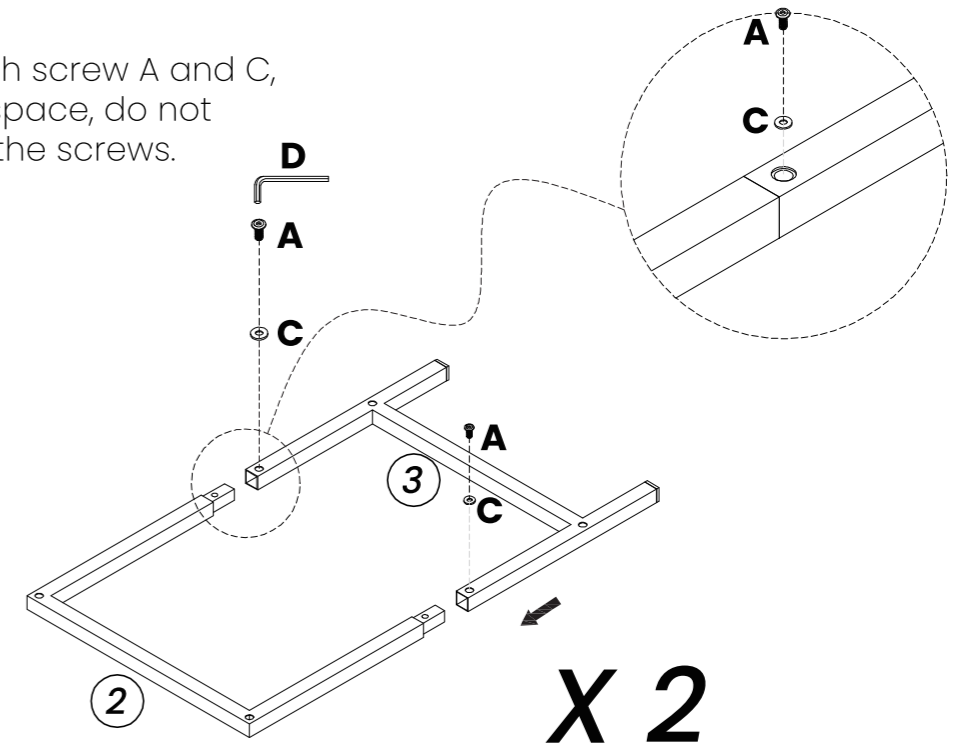


1		1 PC	2		2 PCS	3		2 PCS	4		2 PCS	5		1 PC
----------	---	------	----------	---	-------	----------	---	-------	----------	---	-------	----------	---	------

STEP 1



Connect ② to ③ with screw A and C, please keep some space, do not completely tighten the screws.

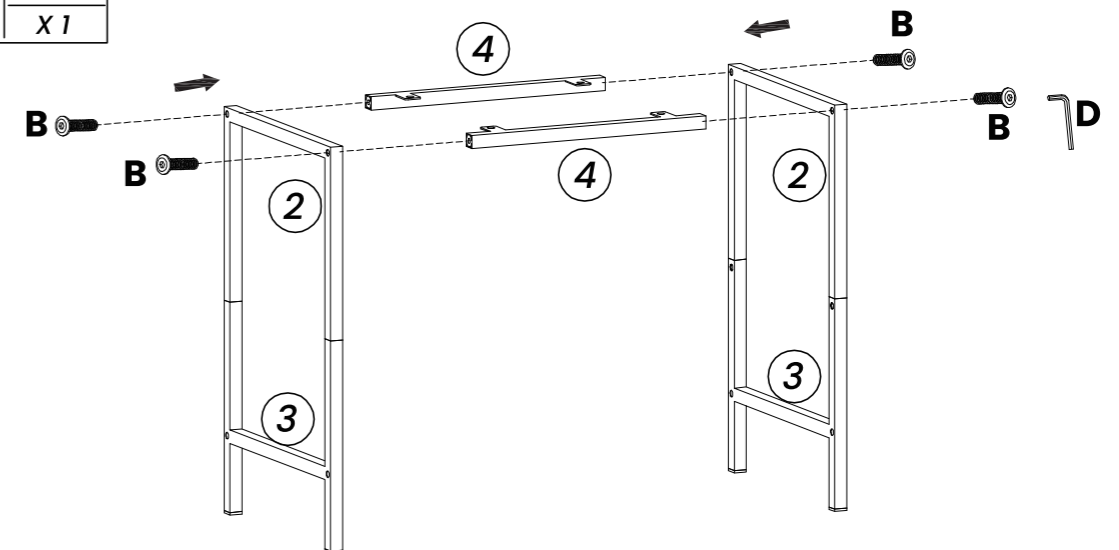
A		M6*10 X 4
C		D13*1.5 X 4
D		M4 X 1



STEP 2



Connect ② to ④ with screw B, and put screw F into ③-frames bottom, please keep some space, do not completely tighten the screws.

B		M6 x 25 X 4
D		M4 X 1

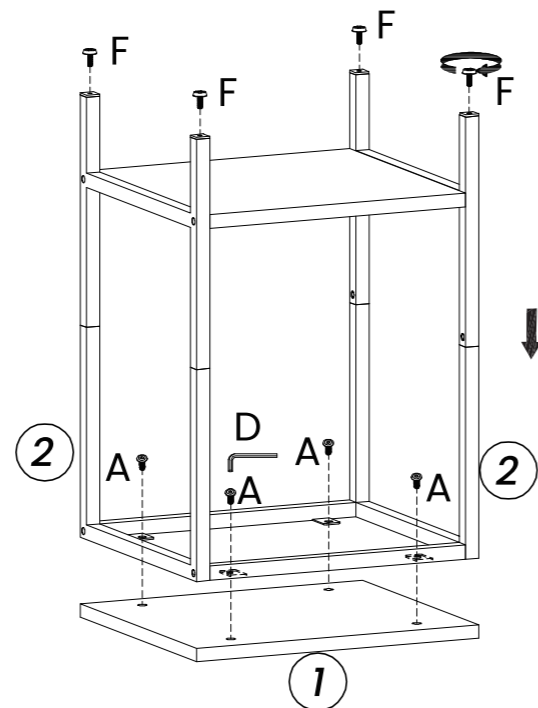


STEP 3

Connect ①-Wood Top to Frames with screw A, please keep some space, do not completely tighten the screws.



A		M6 x 10 X 4	D		M4 X 1
----------	---	-----------------------	----------	---	------------------

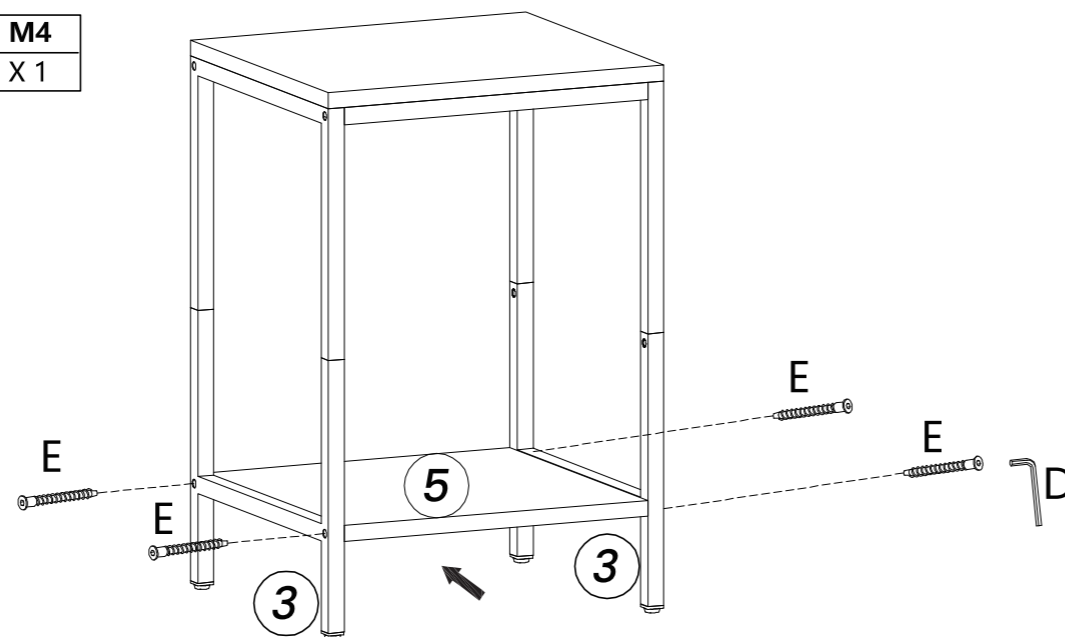
F		Ø19x15xM6 X 4
----------	---	-------------------------



STEP 4

Connect ⑤-Wood Top to Frames with screw E, last completely tighten the all screws.

E		M7 x 50 X 4	D		M4 X 1
----------	---	-----------------------	----------	---	------------------



FINISH

Enjoy your new end tables.

