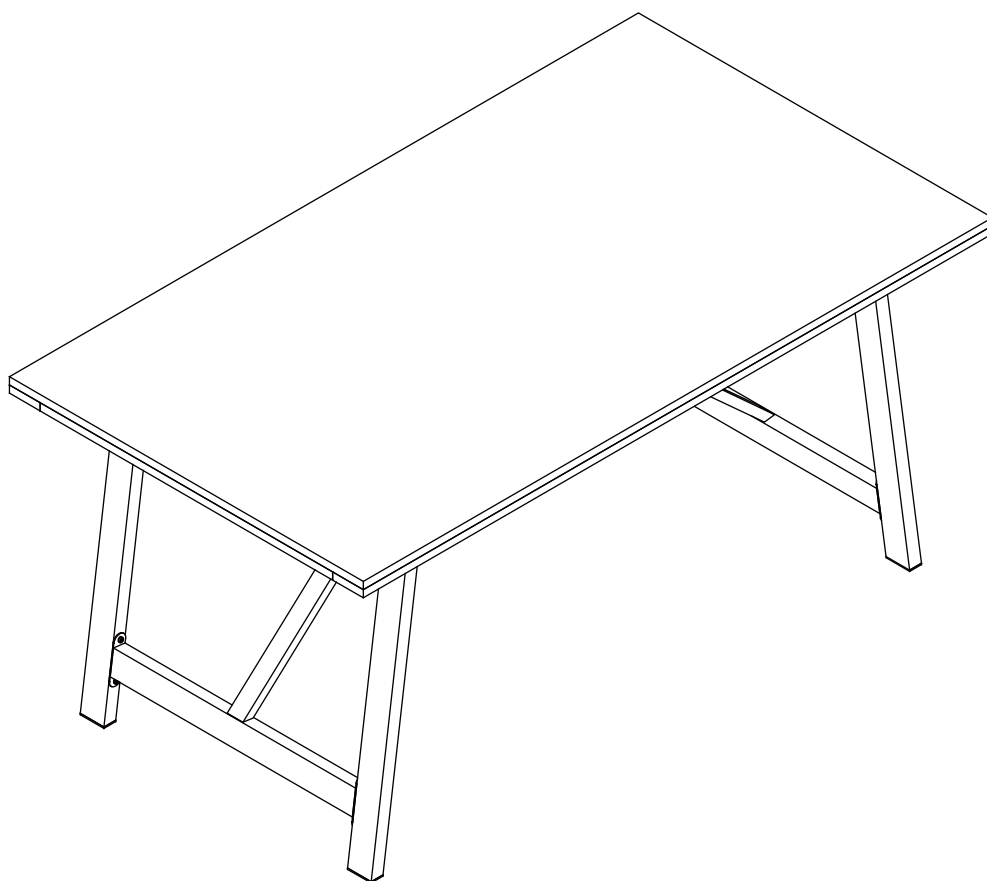


# Assembly Instructions

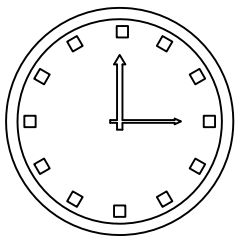
## Dining Table



Keep these instructions for future reference

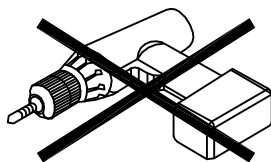
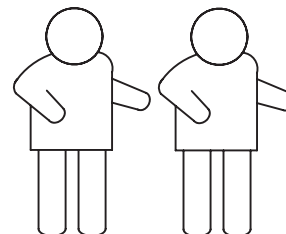
## WARNING

- ! Read instructions carefully. Check no parts are missing.
- ! Assemble the furniture on a soft level surface to avoid damaging the furniture or your floor.
- ! Carefully identify each component, especially those that are similar.
- ! The most common mistake is getting things back to front.
- ! Separate and identify each component from the hardware pack and rest each one in it's proper location before fastening.
- ! We recommend furniture be assembled near where they will be placed, to avoid moving the product unnecessarily once assembled.
- ! If there is a need to move the furniture, please remove all loose items and have extra hands to help lift the furniture to the desired location. Dragging the furniture will damage both the furniture and the floor.
- ! Regularly check and re-tighten (if necessary) all bolts on furniture that you have assembled yourself.



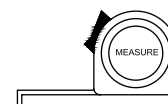
ALLOW 60 MIN

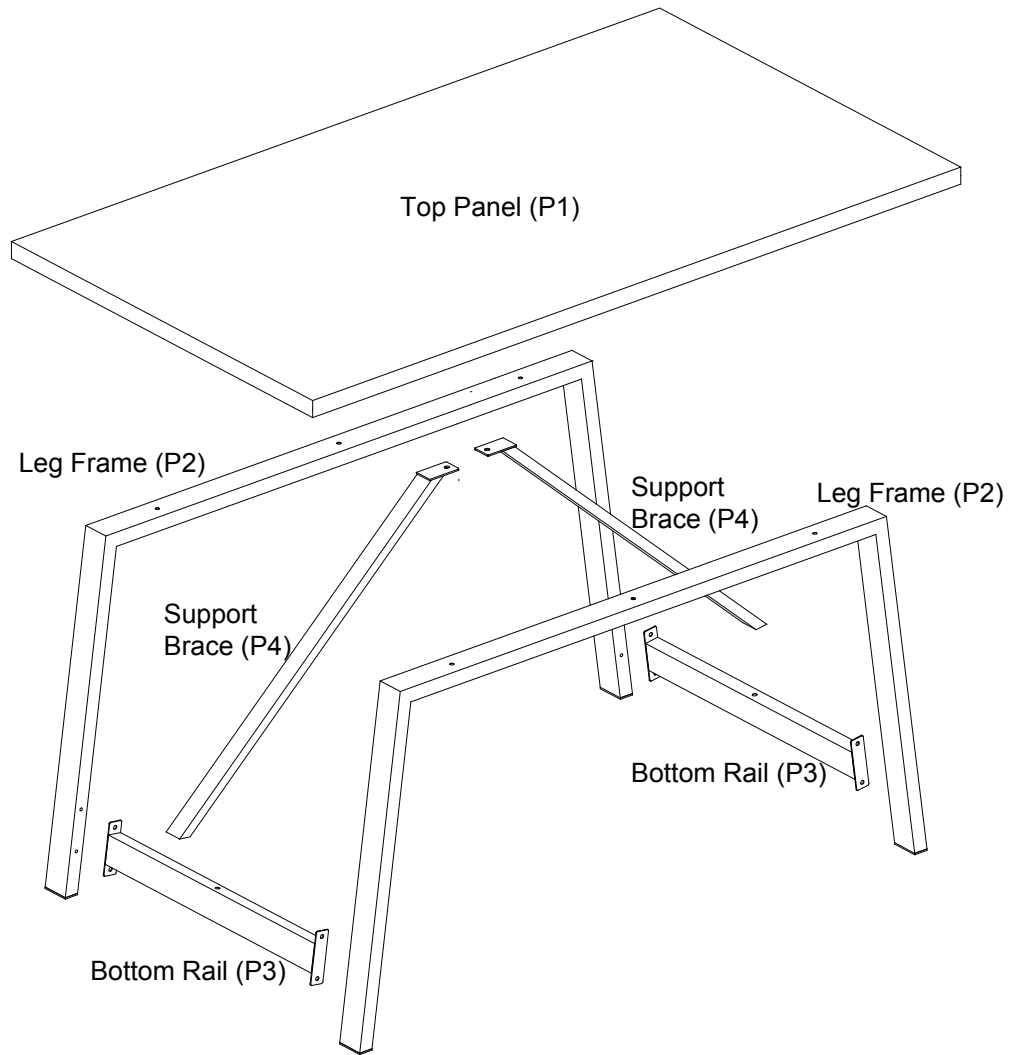
2 Persons Required



**DO NOT USE ON PRODUCT**

Tools Required



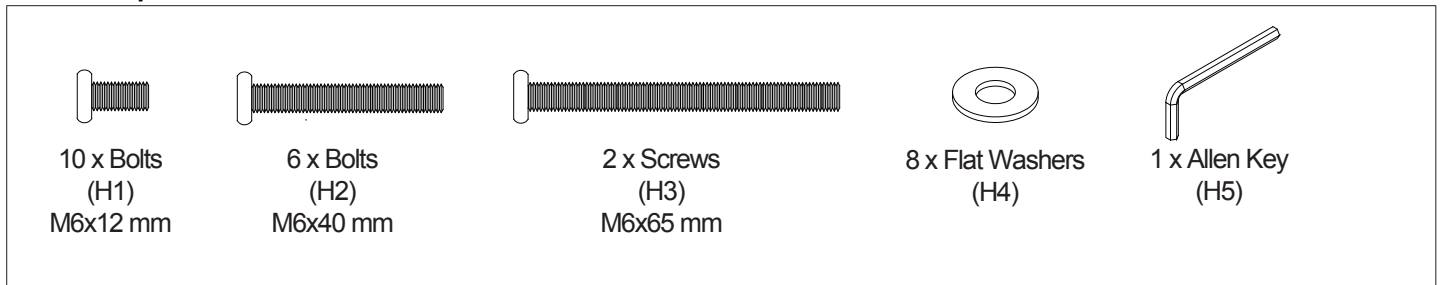


**Part list**


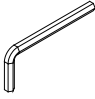
**Box 1:**

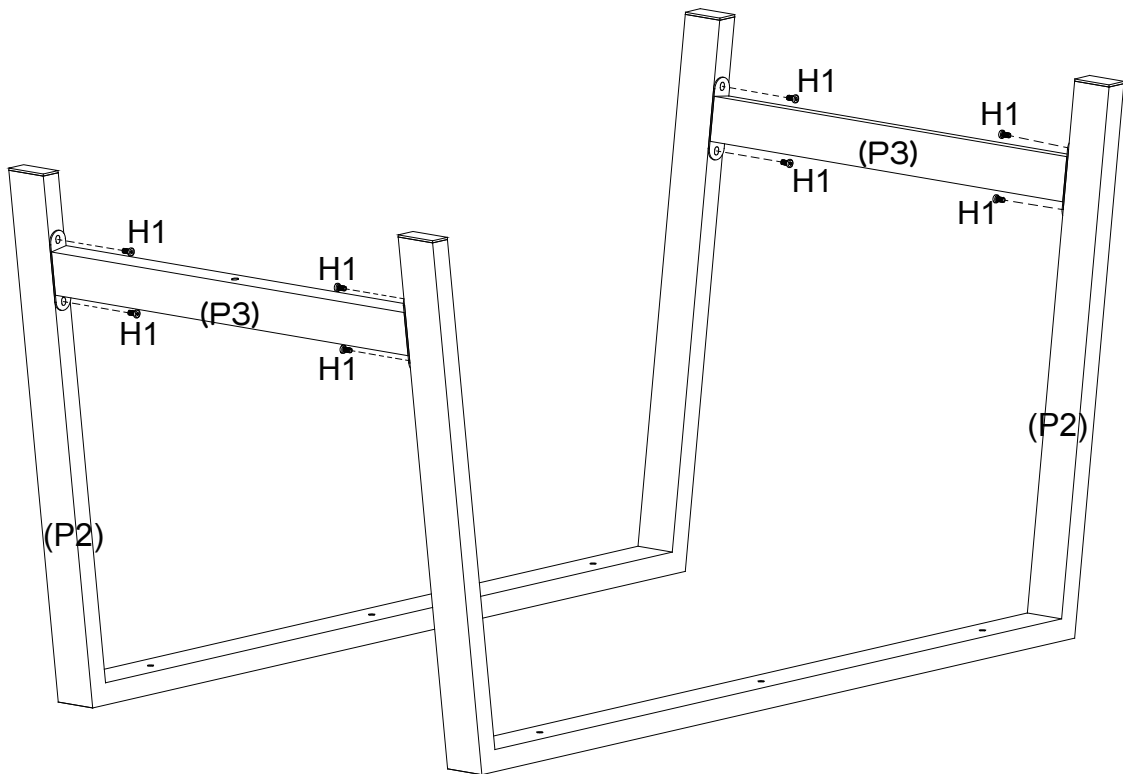
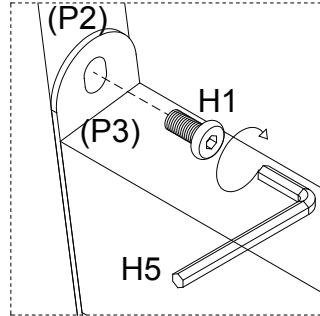
- Top Panel (P1);
- 2 x Leg Frames (P2);
- 2 x Bottom Rails (P3);
- 2 x Support Braces (P4);
- Hardware pack.

**Hardware pack**




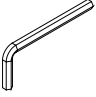
# Step 1

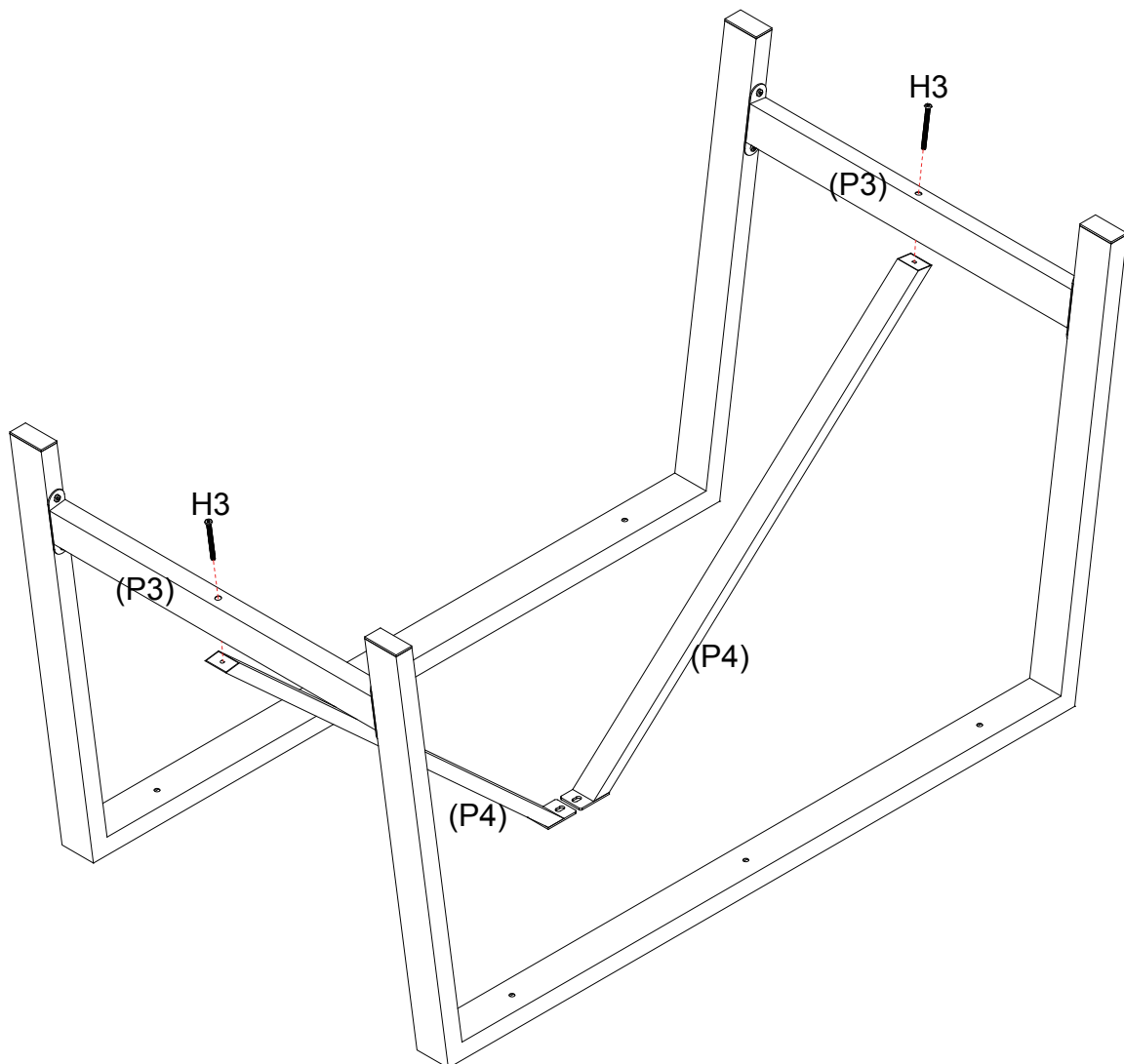
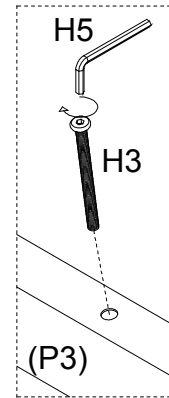
You will need	
 M6x12 mm	
8 x Bolts (H1)	1 x Allen key (H5)



Fasten bottom rails (P3) to leg frames (P2) with 8 x bolts (H1) using Allen key (H5) as shown.



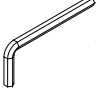

## Step 2

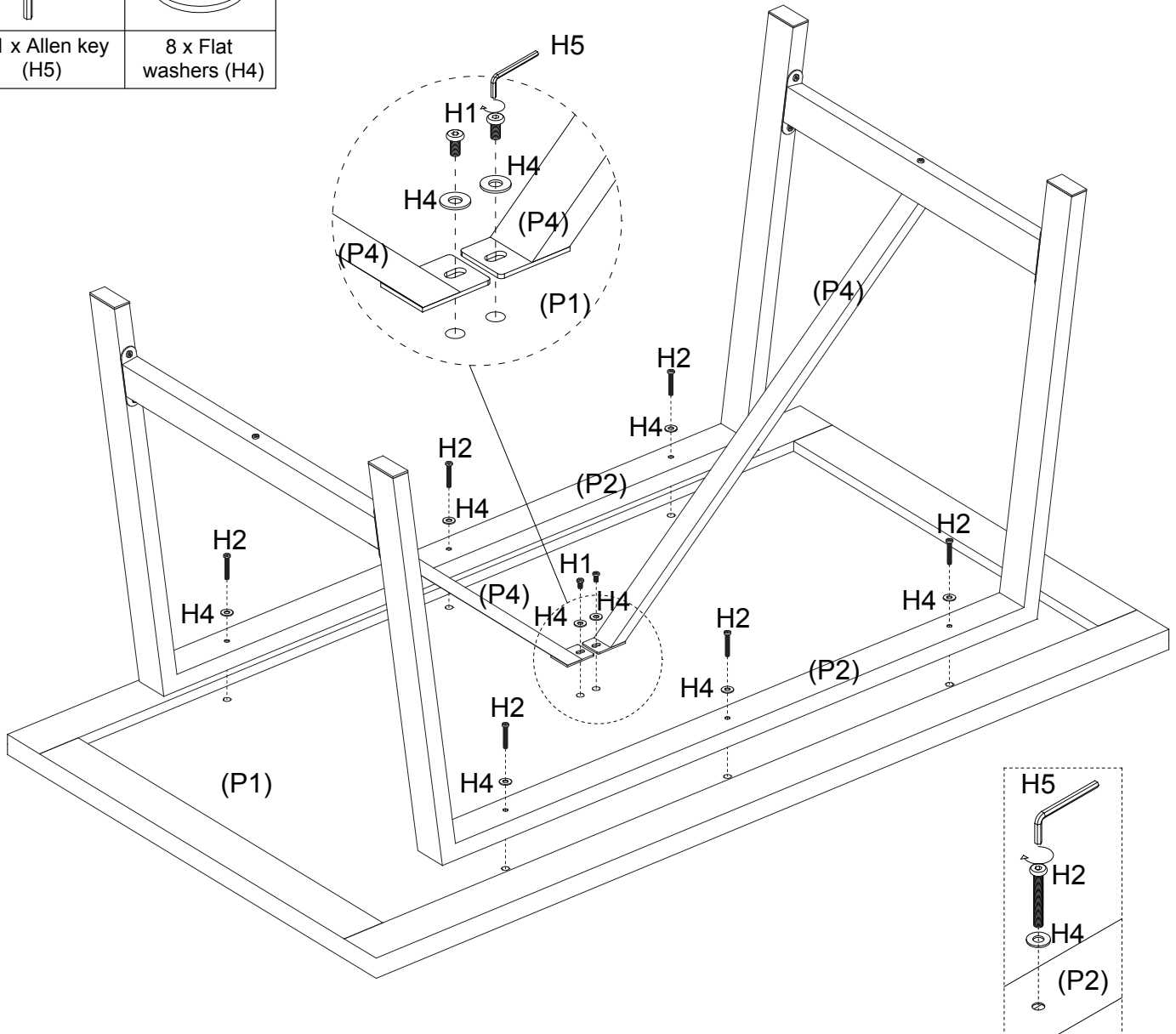
You will need	
 M6x65 mm	
2 x Bolts (H3)	1 x Allen key (H5)



Attach support braces (P4) to bottom rails (P3) with 2 x bolts (H3), tighten the bolts with Allen key (H5).

# Step 3

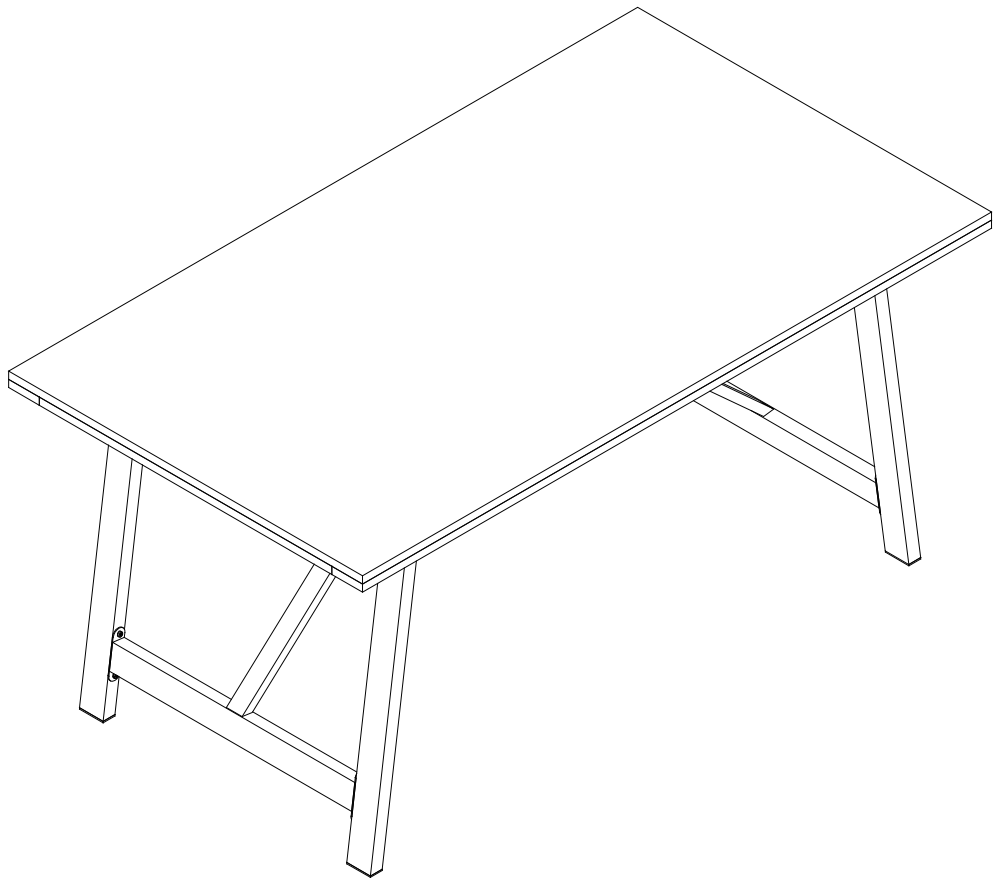
You will need	
	
M6x12 mm	M6x40 mm
2 x Bolts (H1)	6 x Bolts (H2)
	
1 x Allen key (H5)	8 x Flat washers (H4)



Position the assembled frame onto top panel (P1).  
 Fix leg frames (P2) to top panel (P1) with 6 x bolts (H2) and 6 x flat washers (H4).  
 Fix support braces (P4) to top panel (P1) with 2 x bolts (H1) and 2 x flat washers (H4).  
 Well align all bolts before fully tighten.

With help, turn over the table.

## Step 4



**Job complete!**

In the interest of our environment please dispose  
of all packaging thoughtfully.