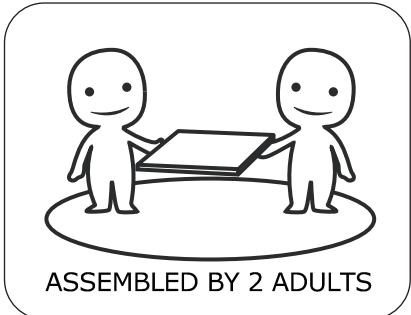
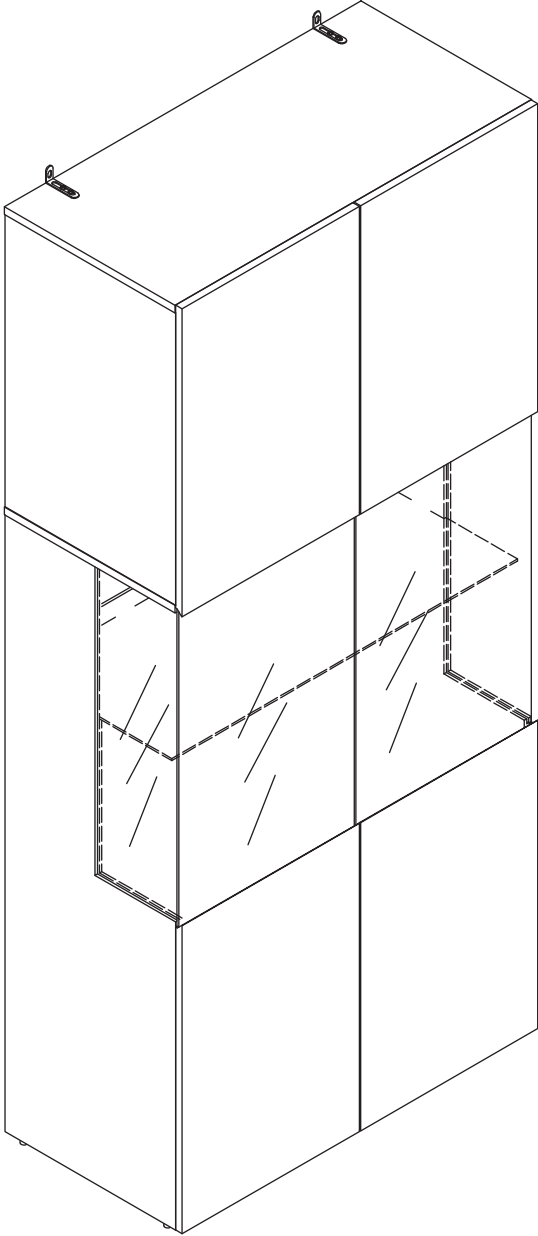


# Display Cabinet





### **IMPORTANT INFORMATION!**

please read the entire manual before starting to assemble and/or using this product. follow the manual thoroughly and keep it for further reference.



### **AVOID SCRATCHES!**

In order to avoid scratching this furniture should be assembled on a soft layer- could be a rug.



### **IMPROVE EFFICIENCY !**

Try to find a partner to install with you, which can speed up the installation efficiency and shorten the time.



### **ANTI-TOPPLE WARNING !**

Overturnd furniture can cause serious or fatal crush injuries. To prevent tipping over, be sure to use the wall attachment, if not included with this product. Please purchase the wall attachment that fit your wall. If unsure, seek professional advice. Please read and follow each step of the instructions carefully.

### **IMPORTANT !**

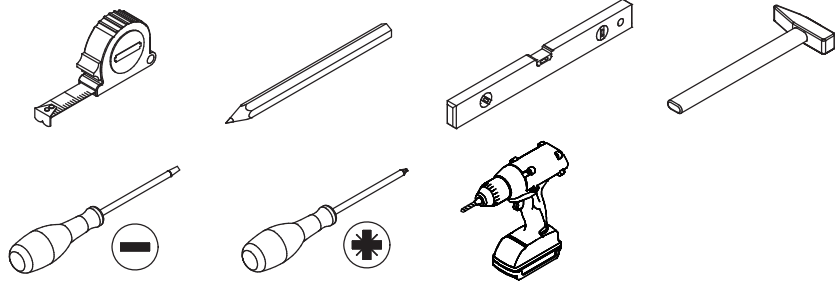
It is important that any product which is assembled using any kind of screw is re-tightened 2 weeks after assembly, and once every 3 months - in order to assure stability through-out the lifespan of the product.

For regular maintenance and cleaning of the product, for the frame, please use a rag dipped in neutral detergent to fully wipe it, and then dry it with a clean rag. For glass materials, wipe with a rag dampened with water glass cleaner, and then dry with a dry rag.

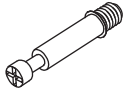




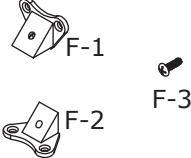

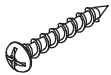
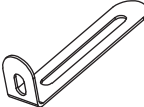

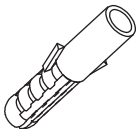

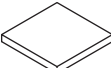



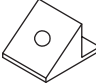



Do not use an electric screwdriver, and do not use too much force when installing, because the board is easy to break.

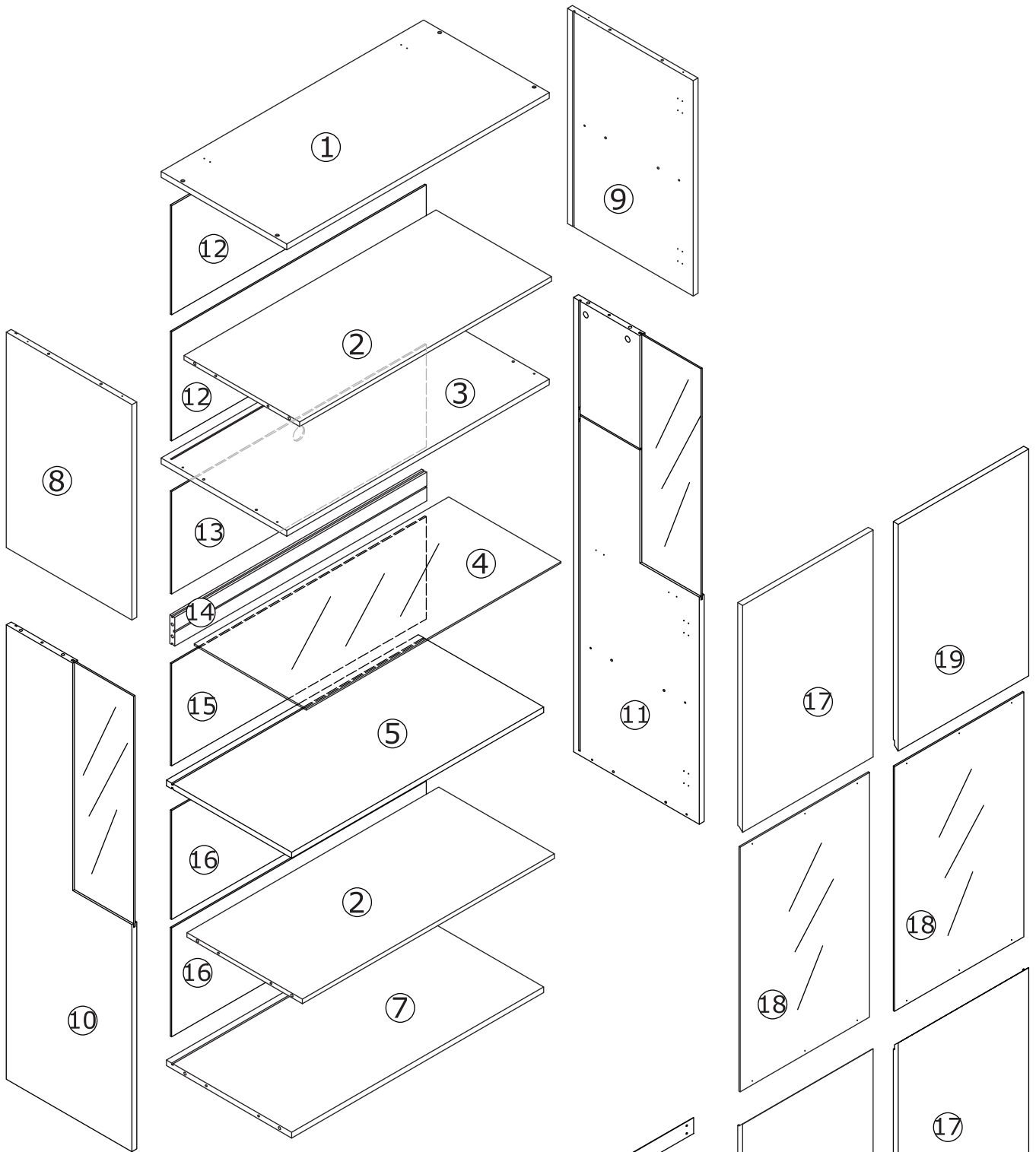


Please prepare the following tools



When installing, please carefully confirm whether each screw corresponds to the manual, accessories with similar shapes can be distinguished by size

A x 20+1  Ø6 x 35 mm	B x 20+1  Ø15 x 10 mm	C x 22+2  Ø6 x 30 mm	D x 10+1  Ø4 x 35 mm	E x 16+1  Ø3.5 x 12 mm
F x 4  F-1 F-2 F-3	G x 4 	H x 4  Ø4 x 25 mm	J x 2 	K x 5  Ø4 x 12 mm
L x 2  Ø6 x 30 mm	M x 1 	N x 1 	P x 1 	Q x 8 
R x 72+5  Ø4 x 14 mm	S x 24 	T x 30+3  Ø3 x 16 mm	U x 6 	V x 8  Ø20 mm

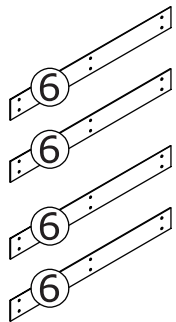


**⚠ WARNING**

**Children have died from furniture tipover. To reduce the risk of furniture tipover:**

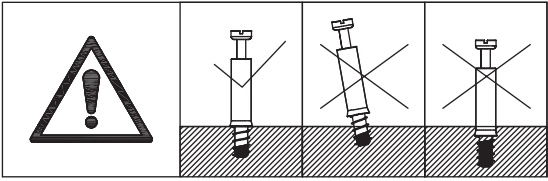
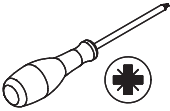
- ALWAYS install tipover restraint provided.
- NEVER put a TV on this product.
- NEVER allow children to stand, climb or hang on drawers, doors, or shelves.
- NEVER open more than one drawer at a time.
- Place heaviest items in the lowest drawers.

*This is a permanent label. Do not remove!*

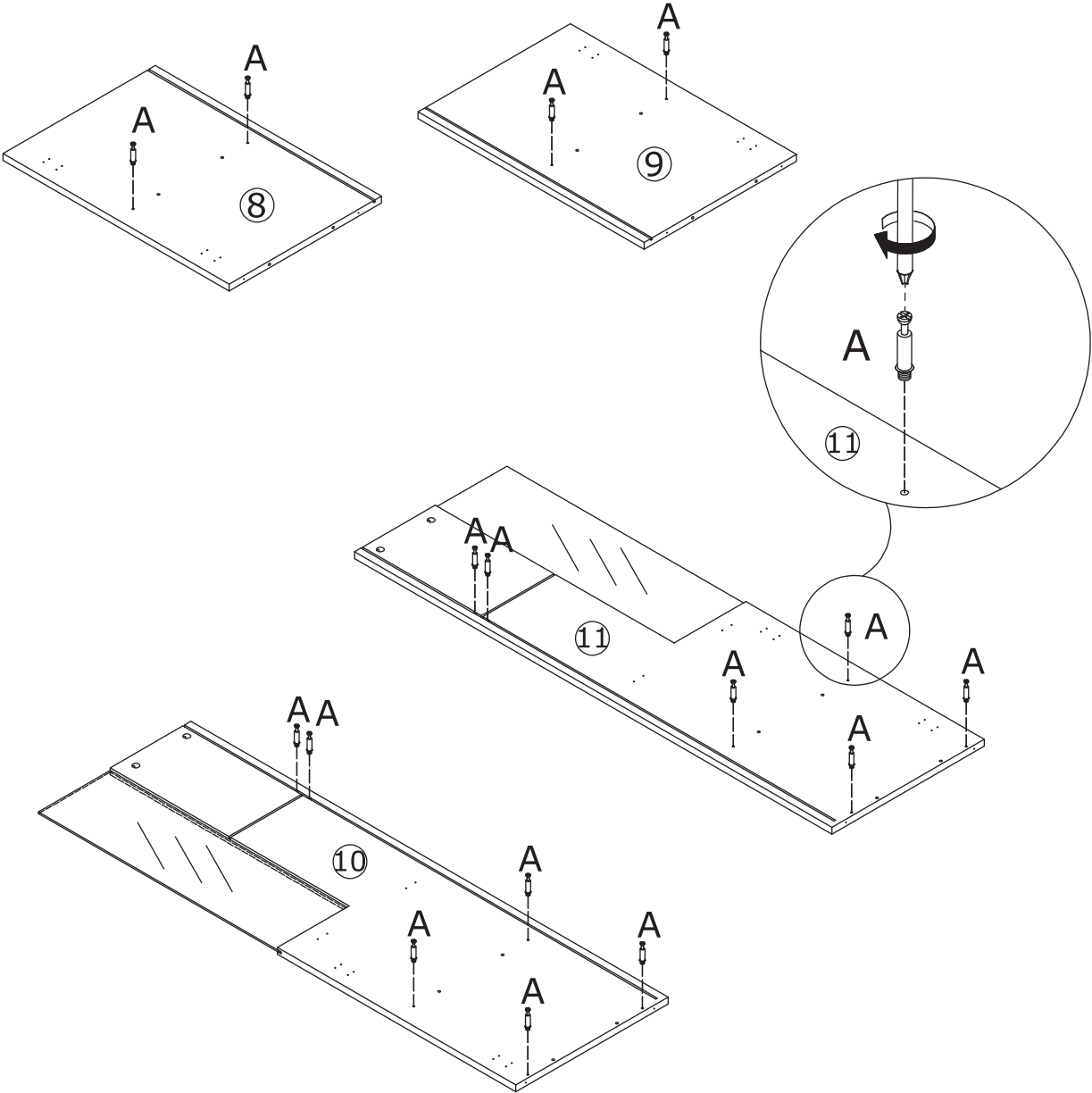


1

A x 16  
Ø6 x 35 mm

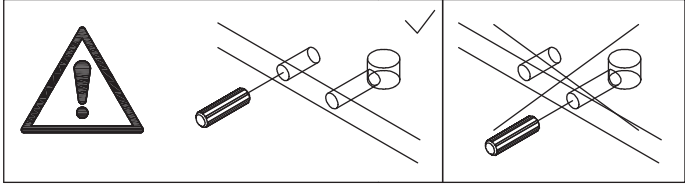


Screw eccentric rod(A) into board 8, 9, 10 and 11 with a screwdriver as shown.

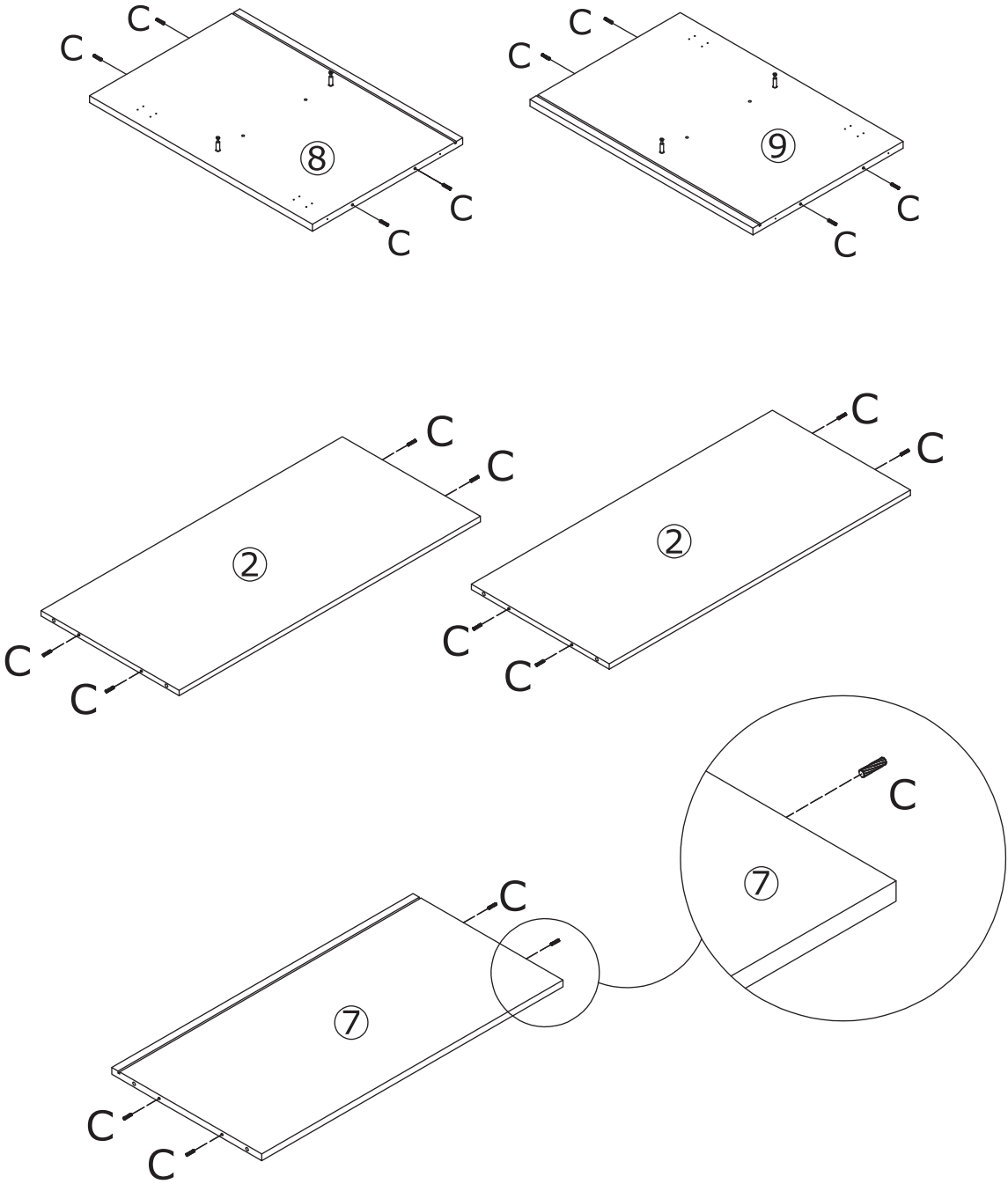


2

C x 20  
Ø6 x 30 mm

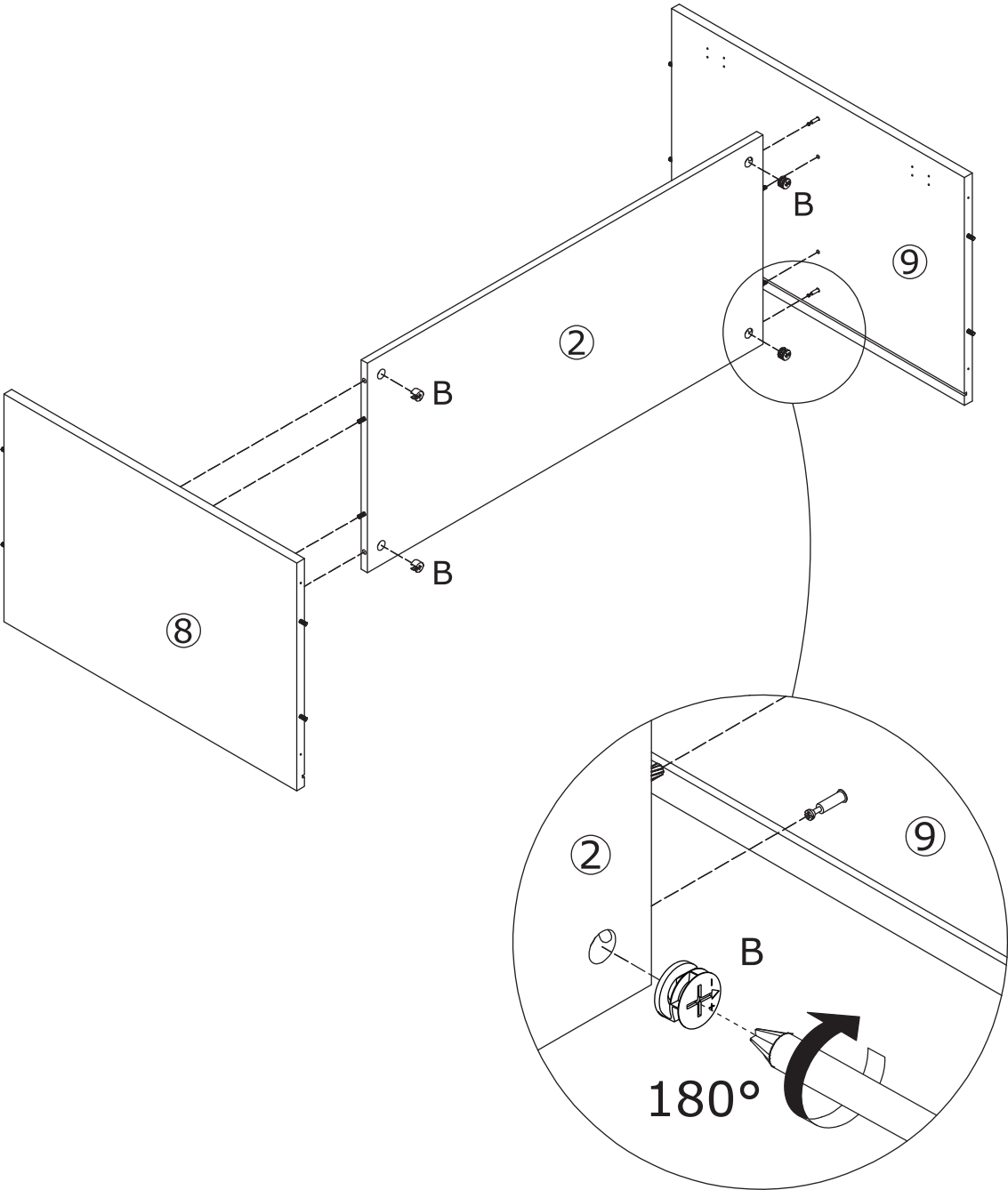
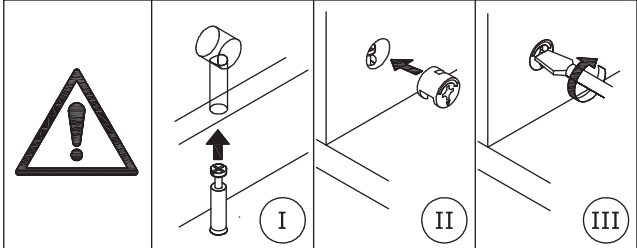
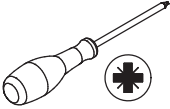


Insert wooden dowel(C) into board 8, 9, 7 and 2 as shown.



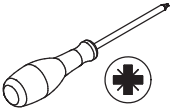
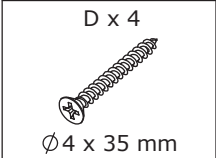
3

B x 4  
Ø15 x 10 mm

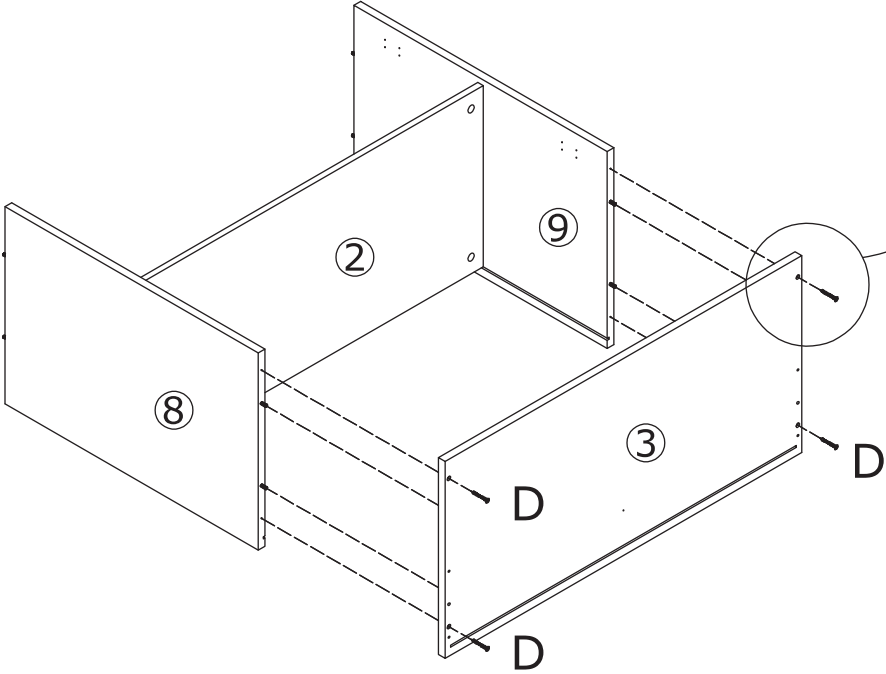


Connect board 8 and 9 to board 2, add cam lock(B) into board 2 and turn clockwise to tighten as shown.

4



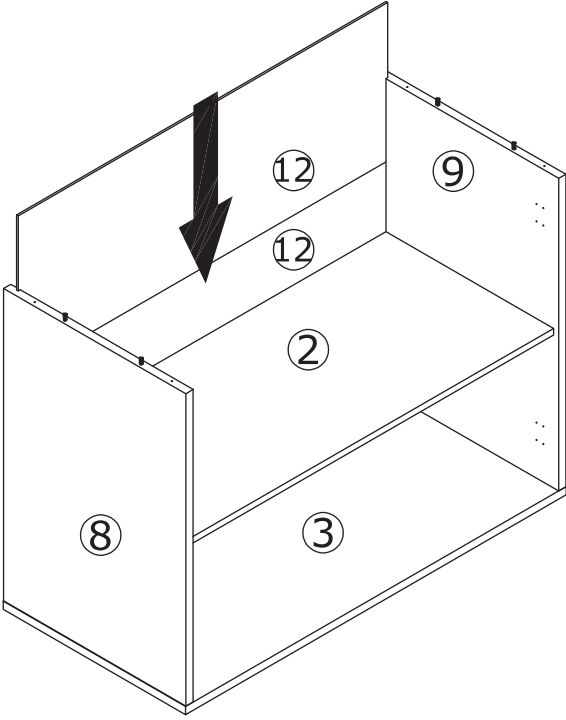
Attach board 3 to board 8 and 9, and fix with screw(D) as shown.



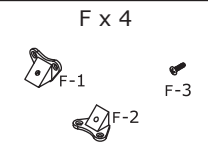
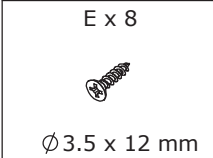
5



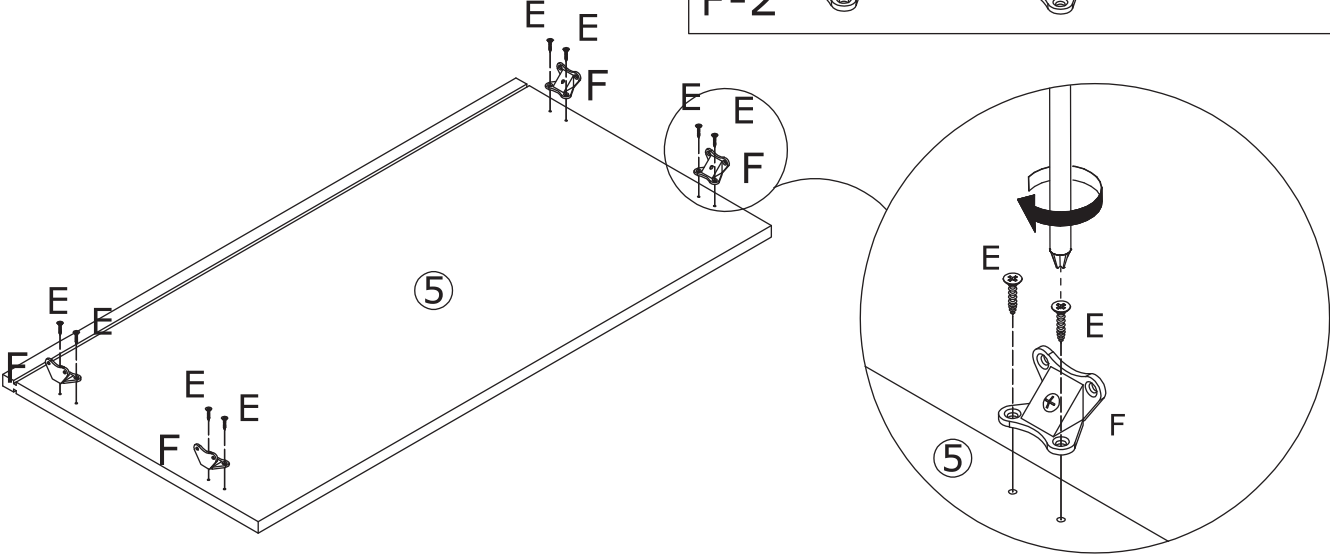
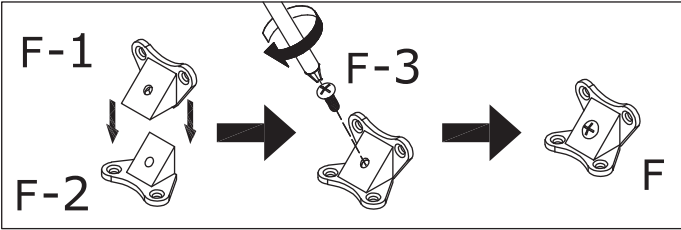
Insert back board 12 along available grooves as shown.



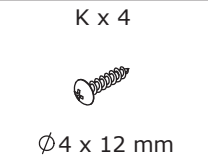
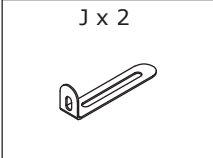
6



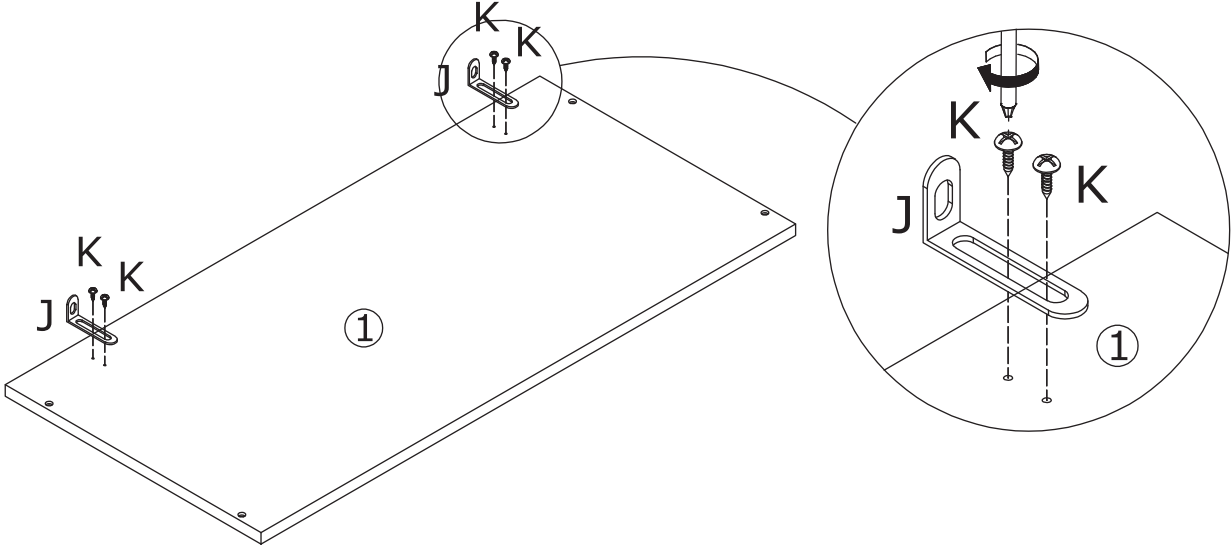
Assemble part(F1) and (F2) together to be one part at first.  
Fix part(F) to board 5 with screw(E) as shown.



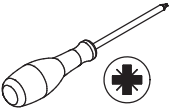
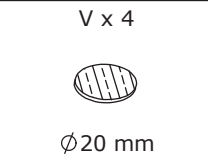
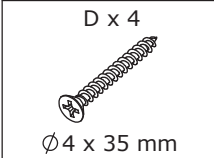
7



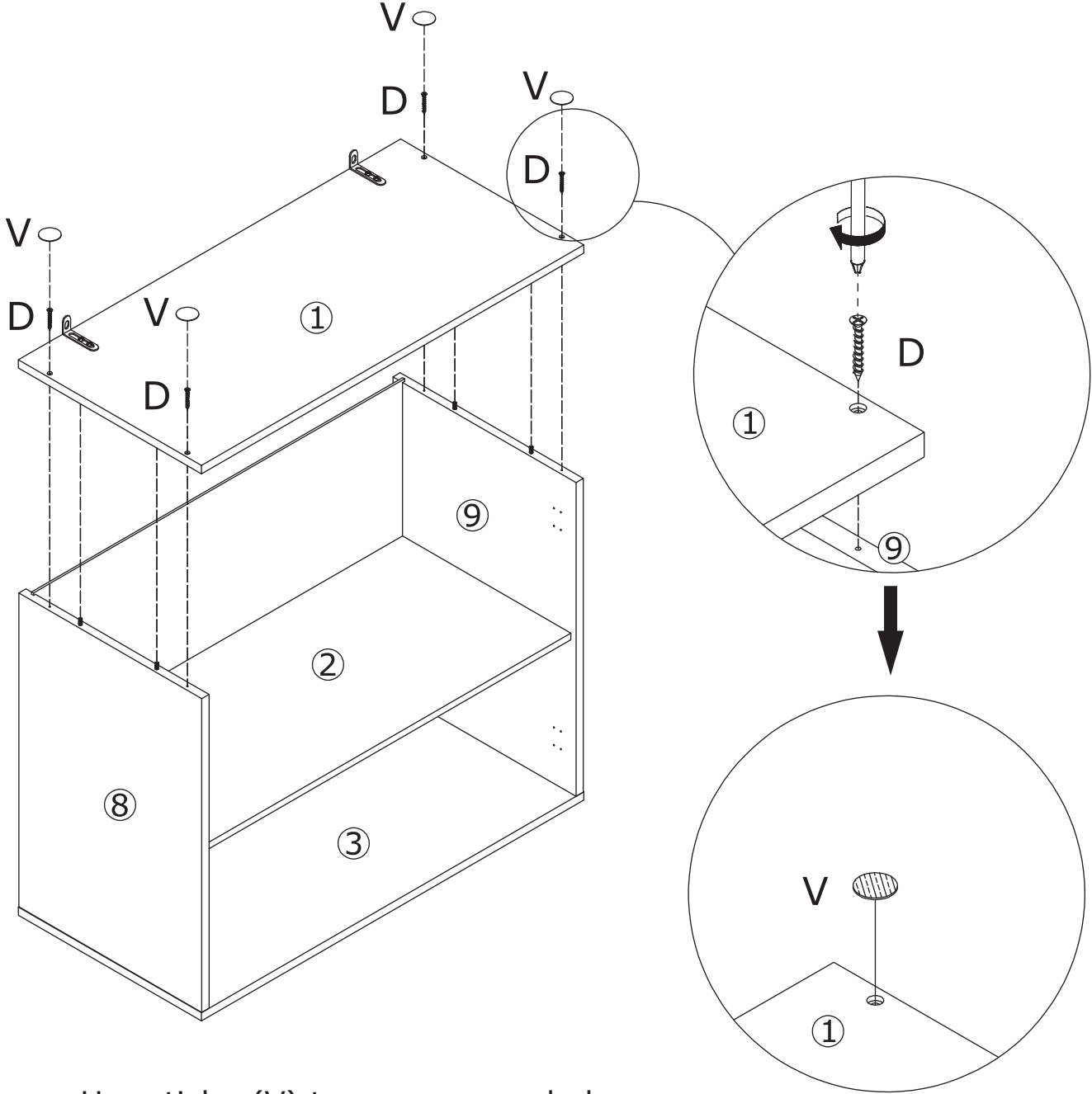
Fix part(J) to board 1 with screw(K) as shown.



8



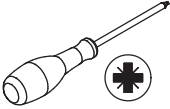


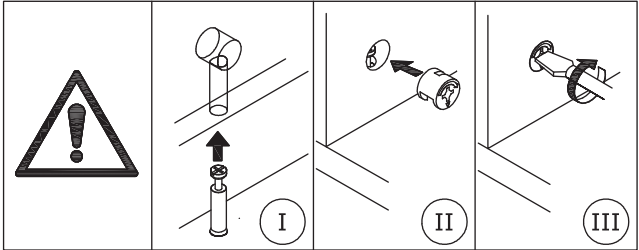
Attach board 1 to board 8 and 9, and fix with screw(D) as shown.



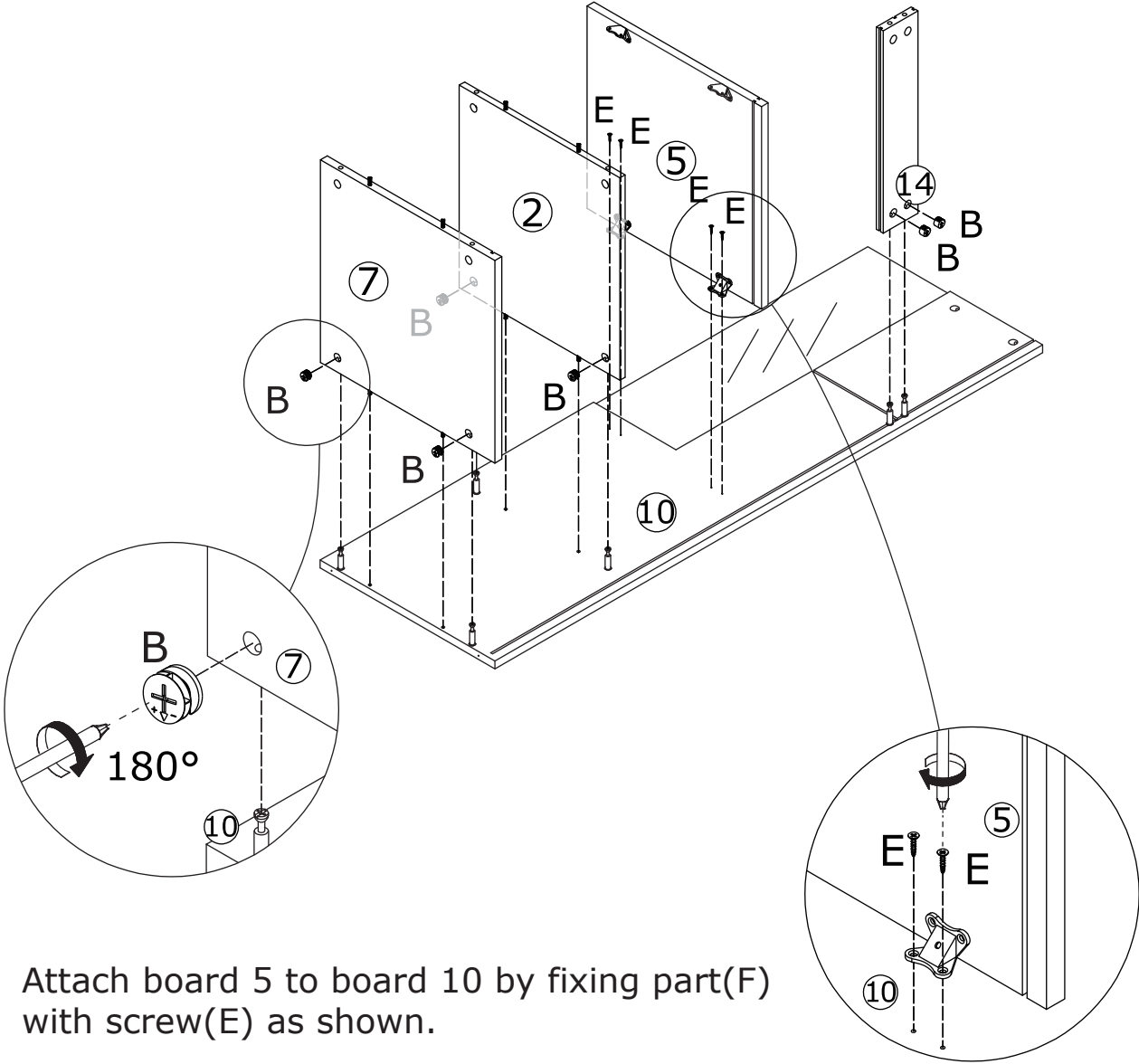
Use sticker(V) to cover screw holes.

9

<p>B x 6  Ø15 x 10 mm</p>	<p>E x 4  Ø3.5 x 12 mm</p>	
--	---	---



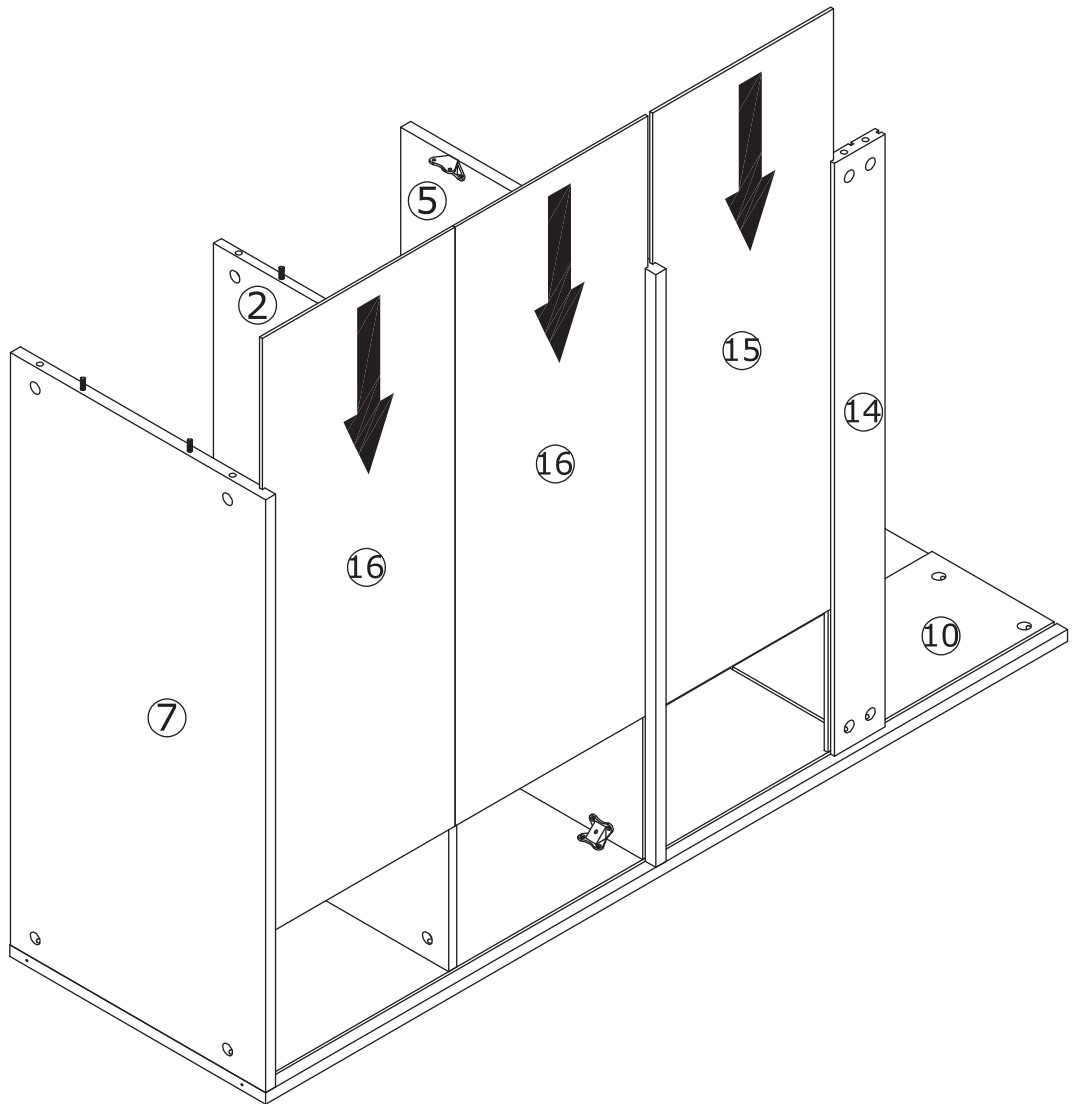
Attach board 2, 7 and 14 to board 10, add cam lock(B) into board 2,7,14 and turn clockwise to tighten as shown.



Attach board 5 to board 10 by fixing part(F) with screw(E) as shown.

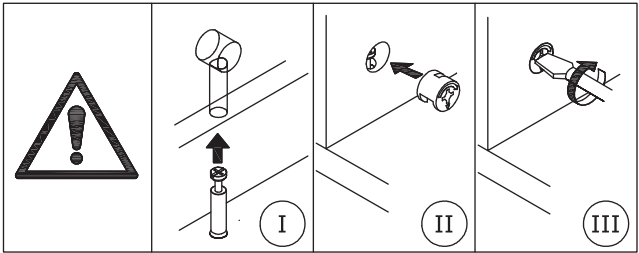
10

Insert back board 15 and 16 along available grooves as shown.

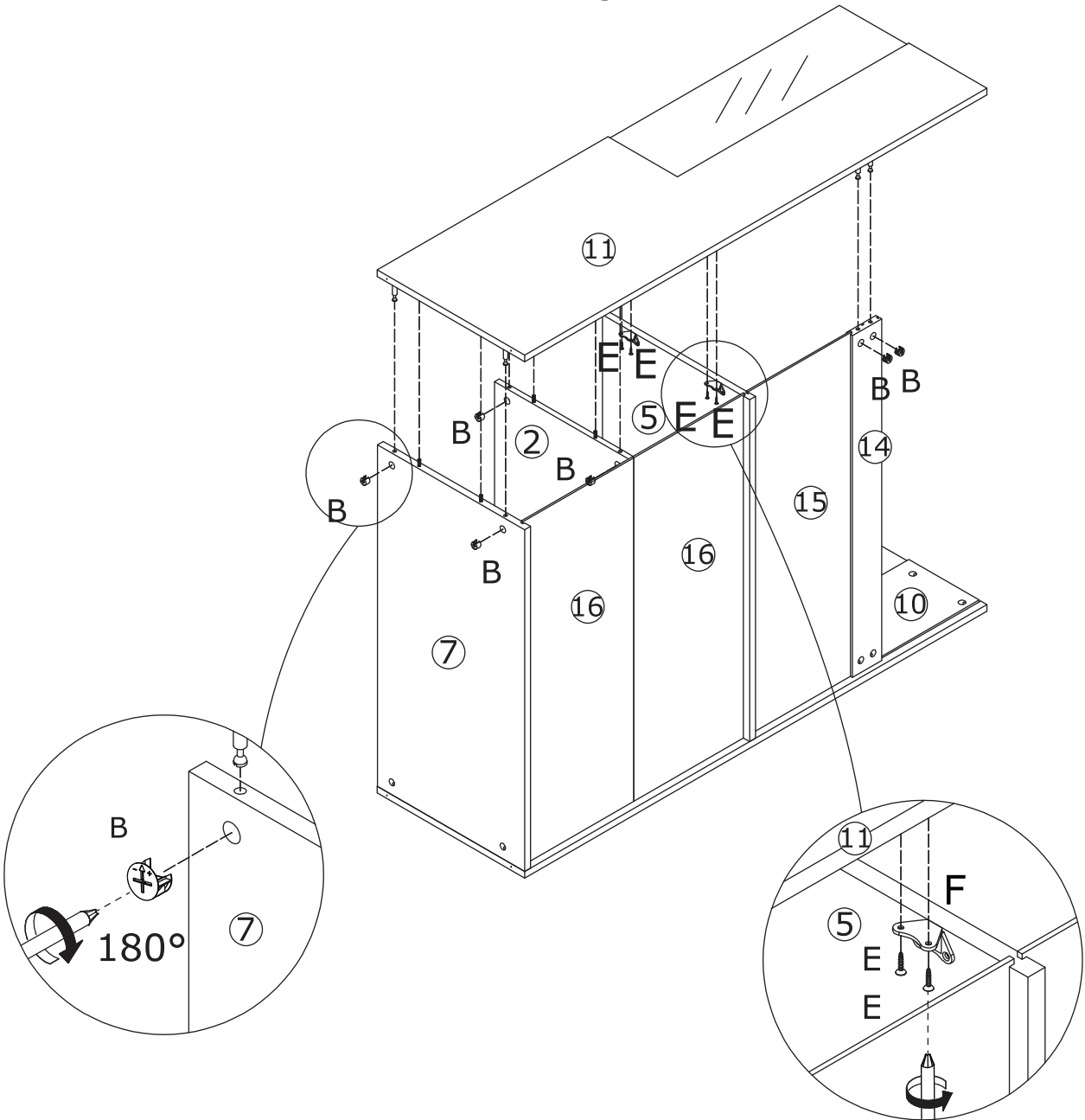


11

B x 6  Ø15 x 10 mm	E x 4  Ø3.5 x 12 mm	
---	--	---

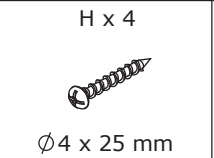


Attach board 11 to board 2, 7 and 14, add cam lock(B) into board 2,7,14 and turn clockwise to tighten as shown.

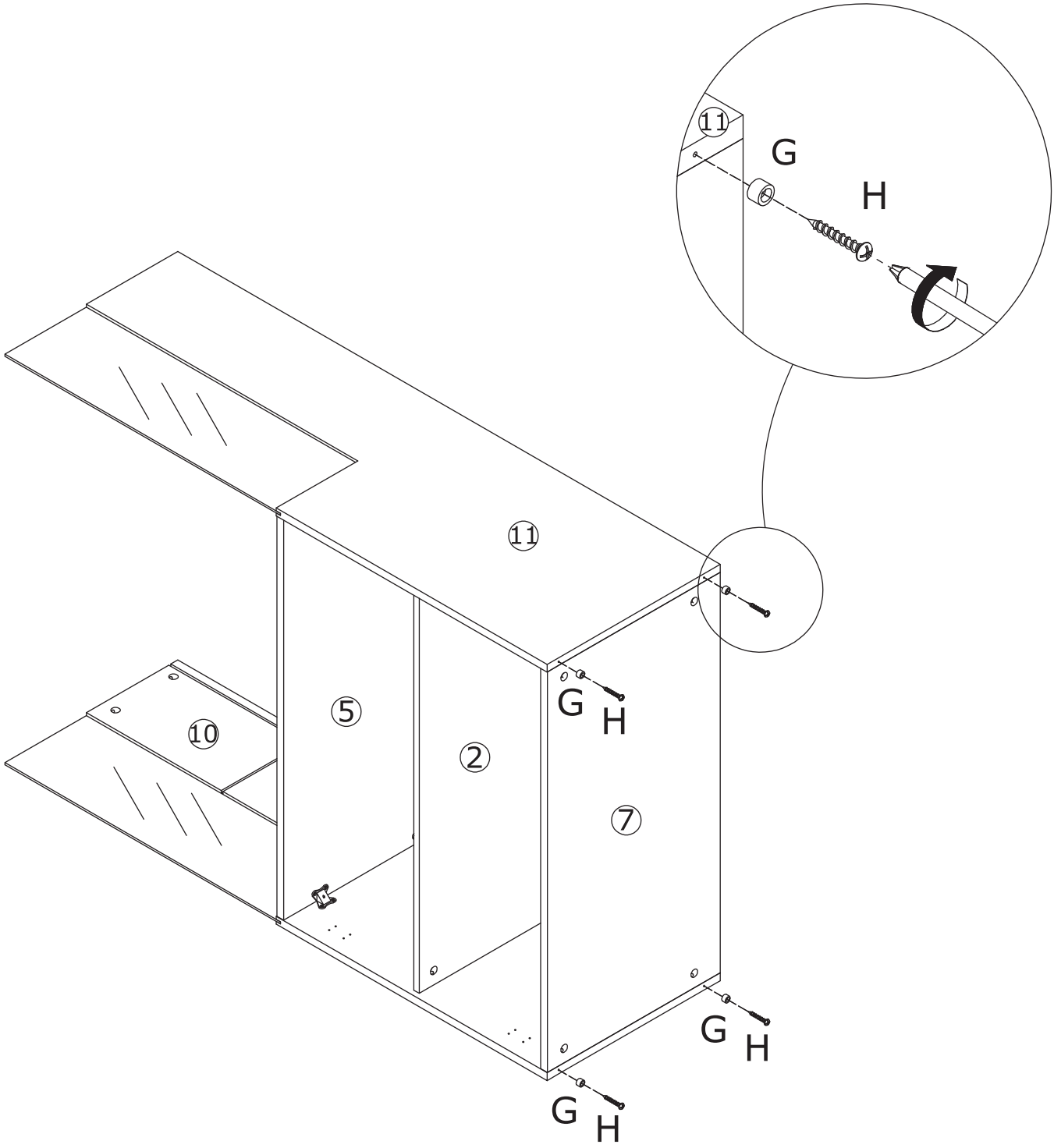


Attach board 11 to board 5 by fixing part(F) with screw(E) as shown.

12

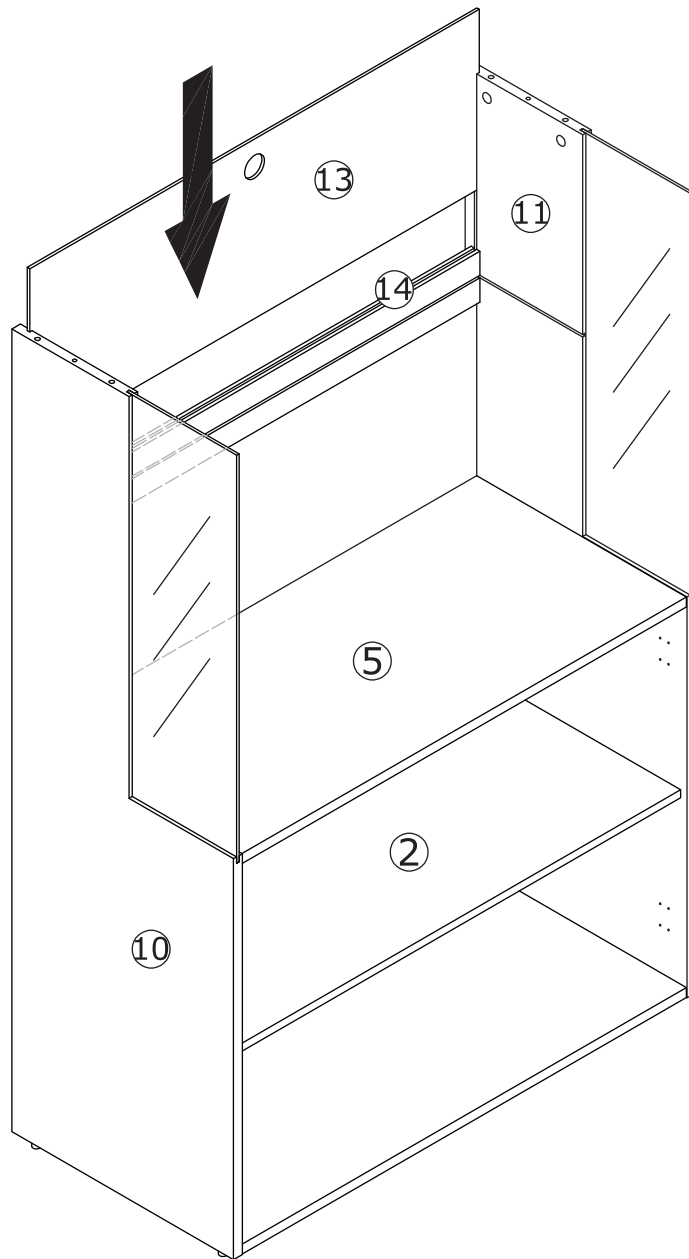


Fix leg(G) to board 10 and 11 with screw(H) as shown.



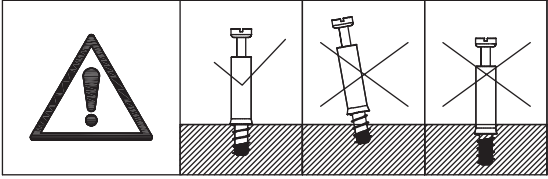
13

Insert back board 13 along available grooves as shown.

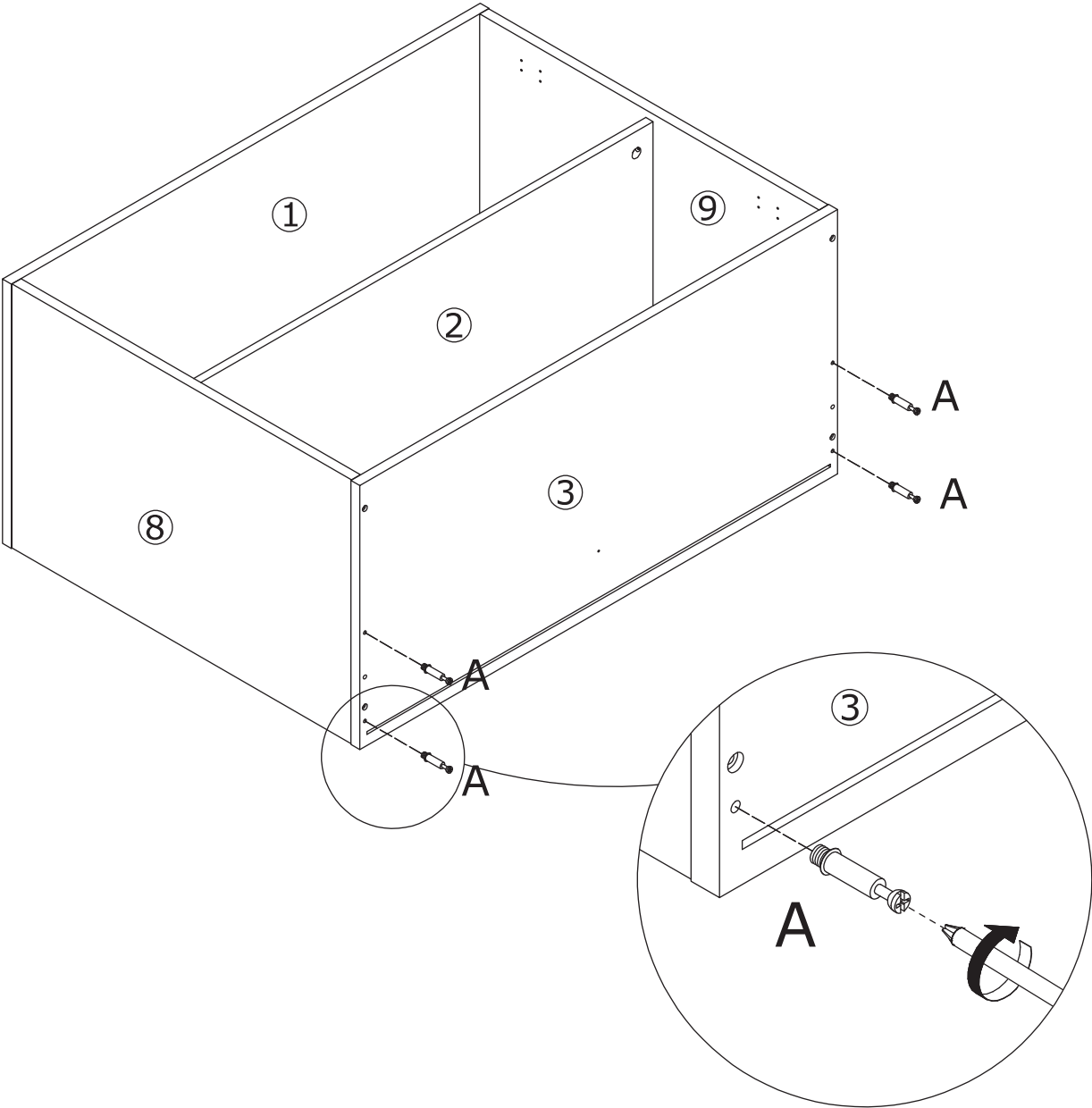


14




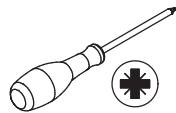
A x 4  
Ø6 x 35 mm

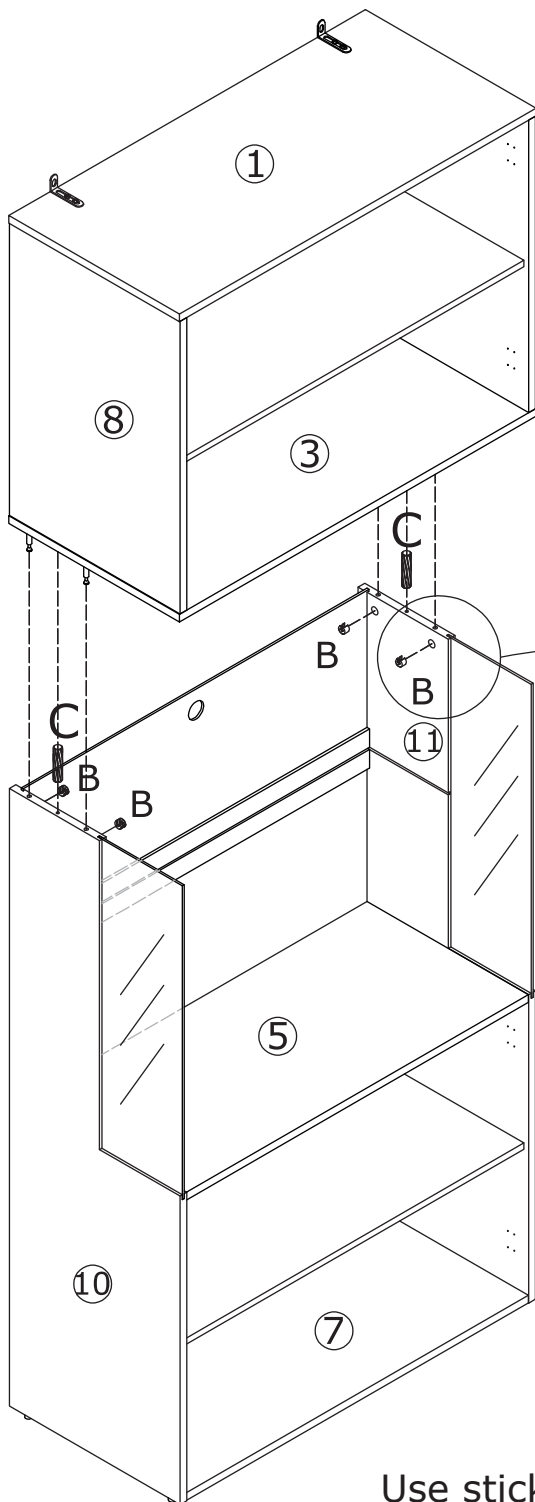
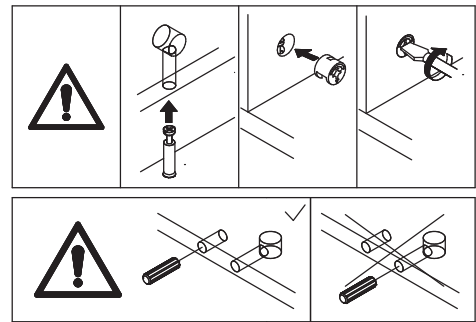


Screw eccentric rod(A) into board 3 with a screwdriver as shown.

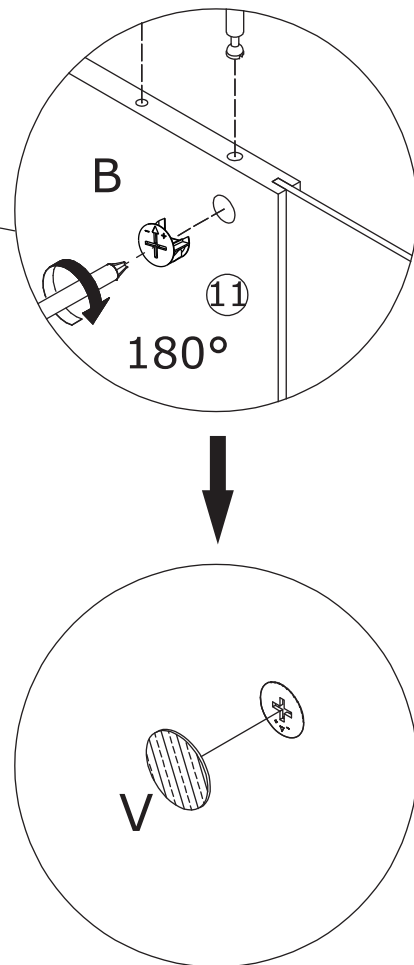


15

<p>C x 2</p>  <p>∅6 x 30 mm</p>	<p>B x 4</p>  <p>∅15 x 10 mm</p>	<p>V x 4</p>  <p>∅20 mm</p>	
--	---	--	---

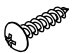



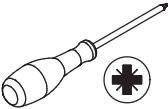


Connect the two components using wooden dowel(C), add cam lock(B) into board 10,11 and turn clockwise to tighten as shown.

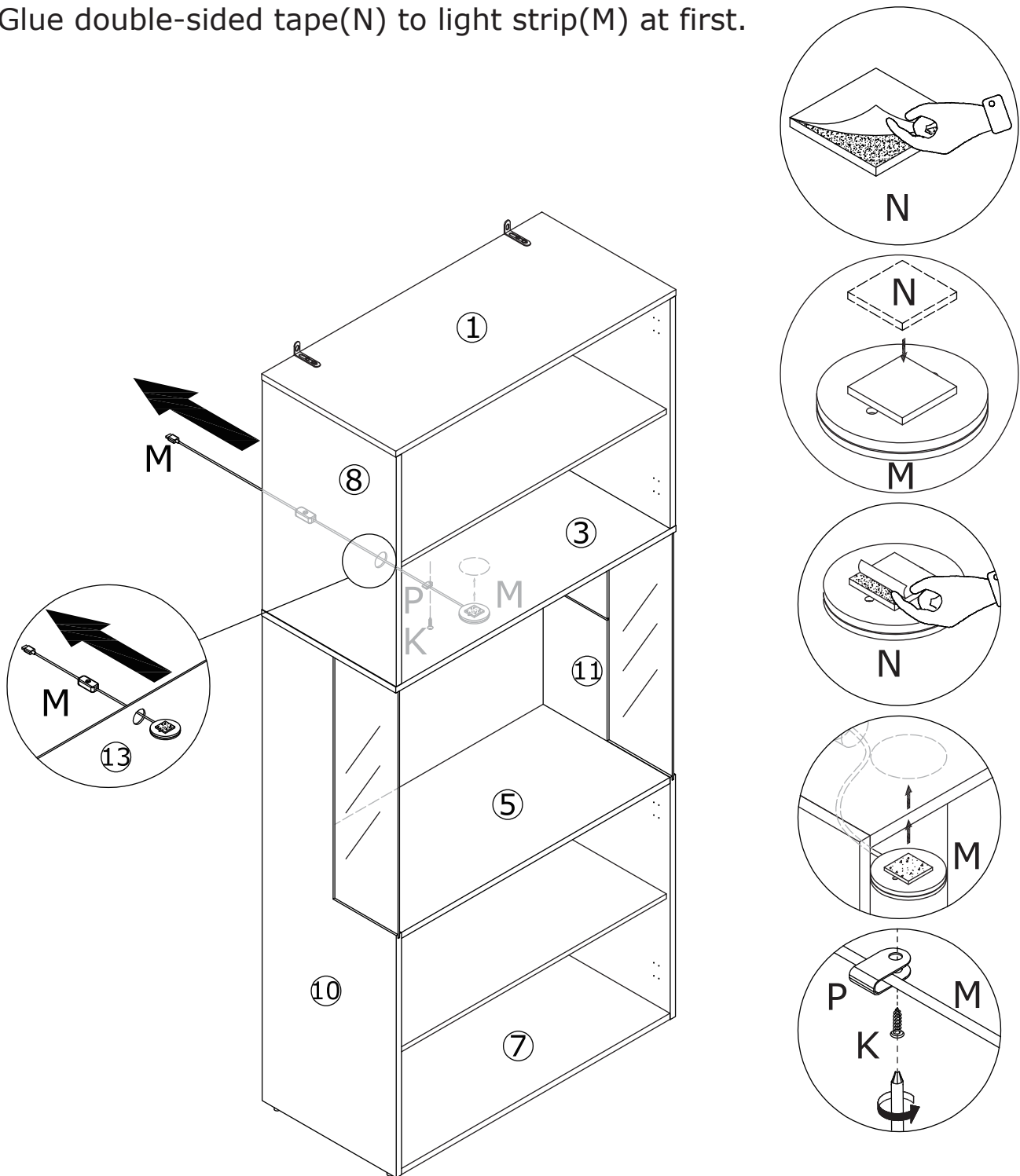


Use sticker(V) to cover cam lock holes.

16




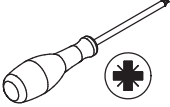
<p>K x 1</p>  <p>Ø4 x 12 mm</p>	<p>M x 1</p> 	<p>N x 1</p> 	<p>P x 1</p> 	
--	--	--	---	---

Glue double-sided tape(N) to light strip(M) at first.

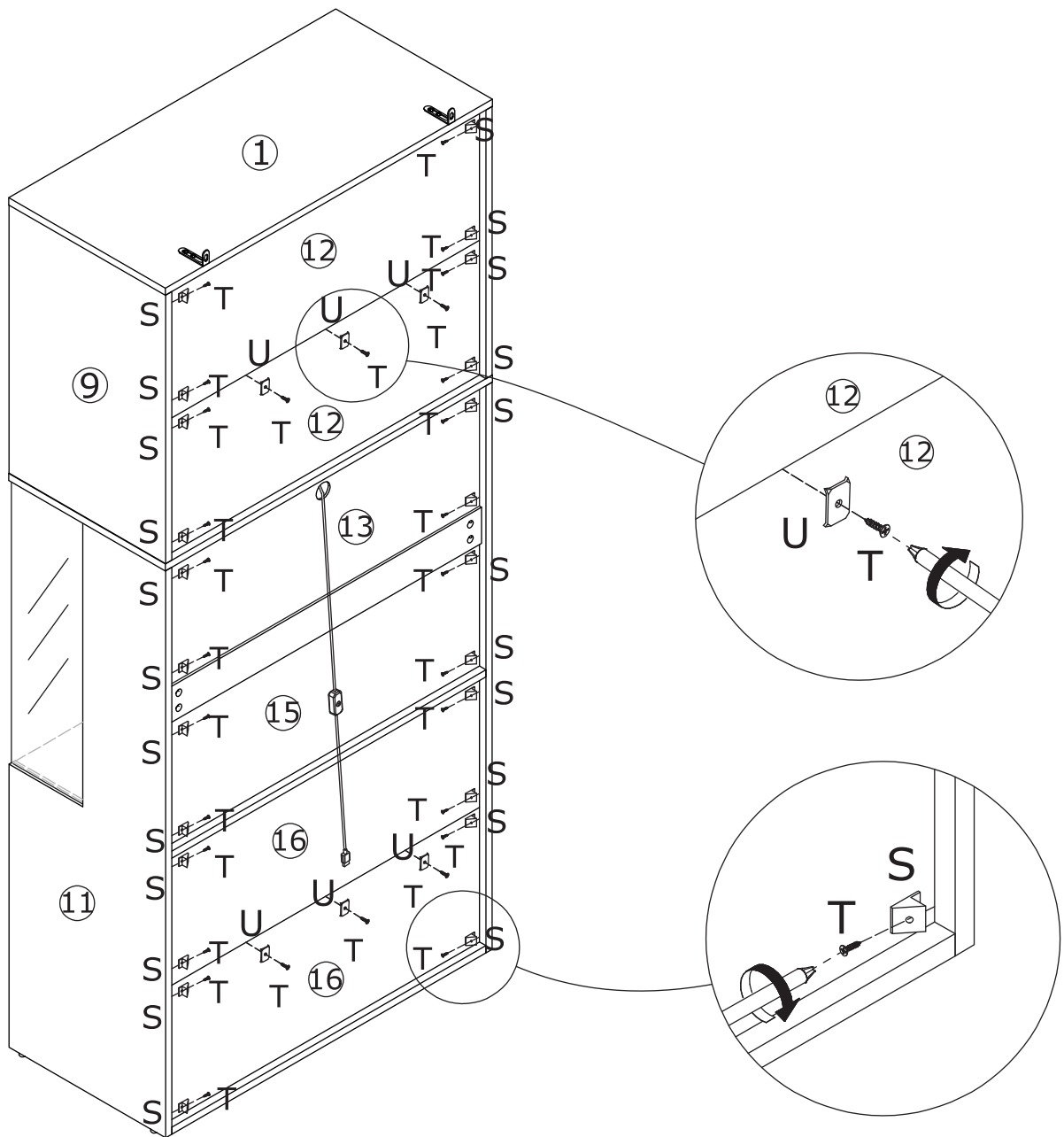


Fix light strip to board 3 through part(P) and fix with screw(K) as shown.

17

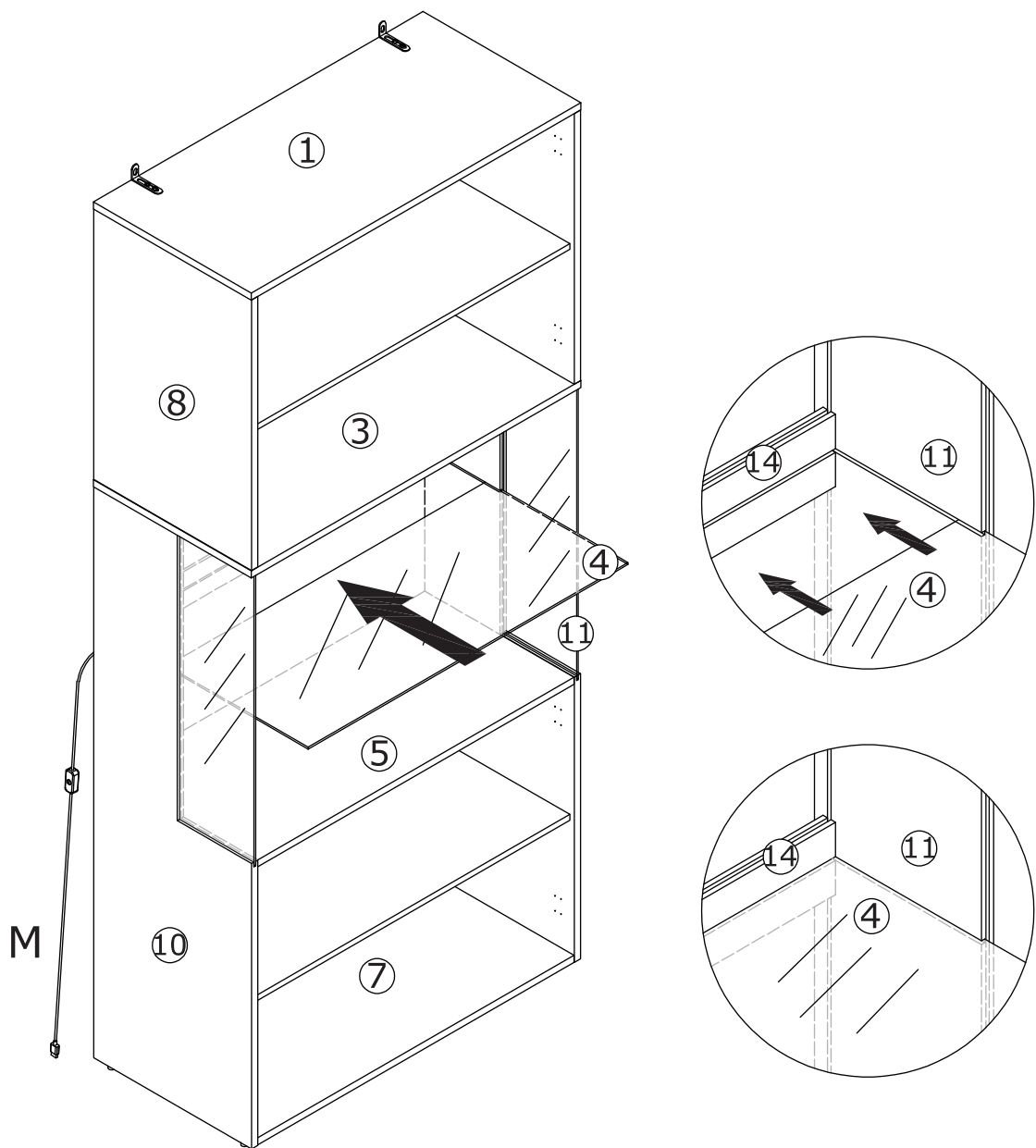
S x 24 	T x 24  Ø3 x 16 mm	U x 6 	
---	---	--	---

Insert buckle(S) into back slots and fix with screw(T) as shown.



18

Place glass board 4 in as shown.

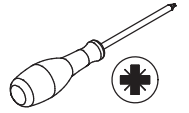


19

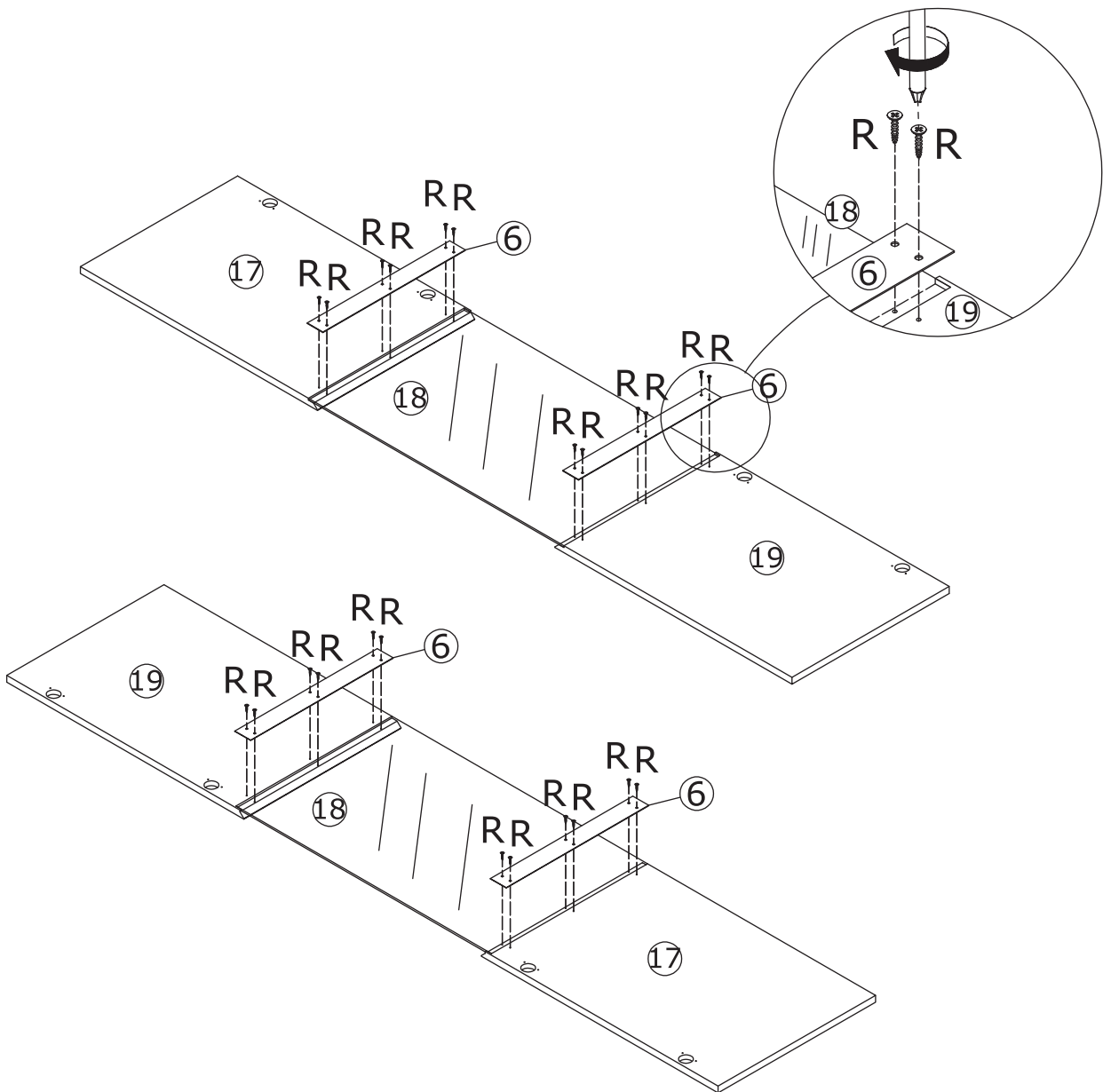
R x 24




Ø4 x 14 mm



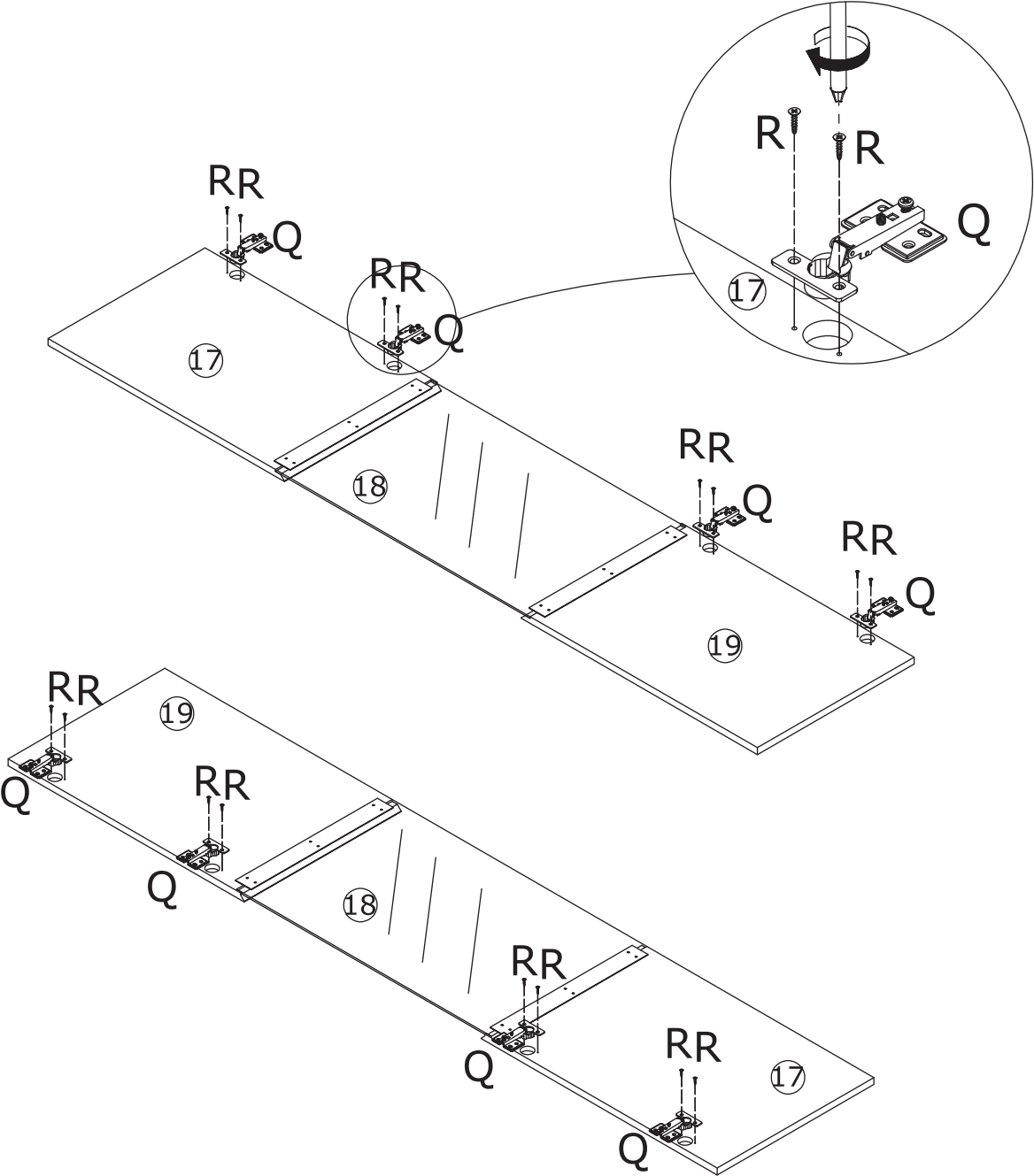
Fix metal sheet 6 to board 17, 18 and 19 together with screw(R) as shown.



20

<p>Q x 8</p> 	<p>R x 16</p>  <p>Ø4 x 14 mm</p>	
--	---	---

Fix hinge(Q) to board 17 and 19 with screw(R) as shown.

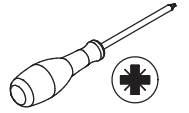


21

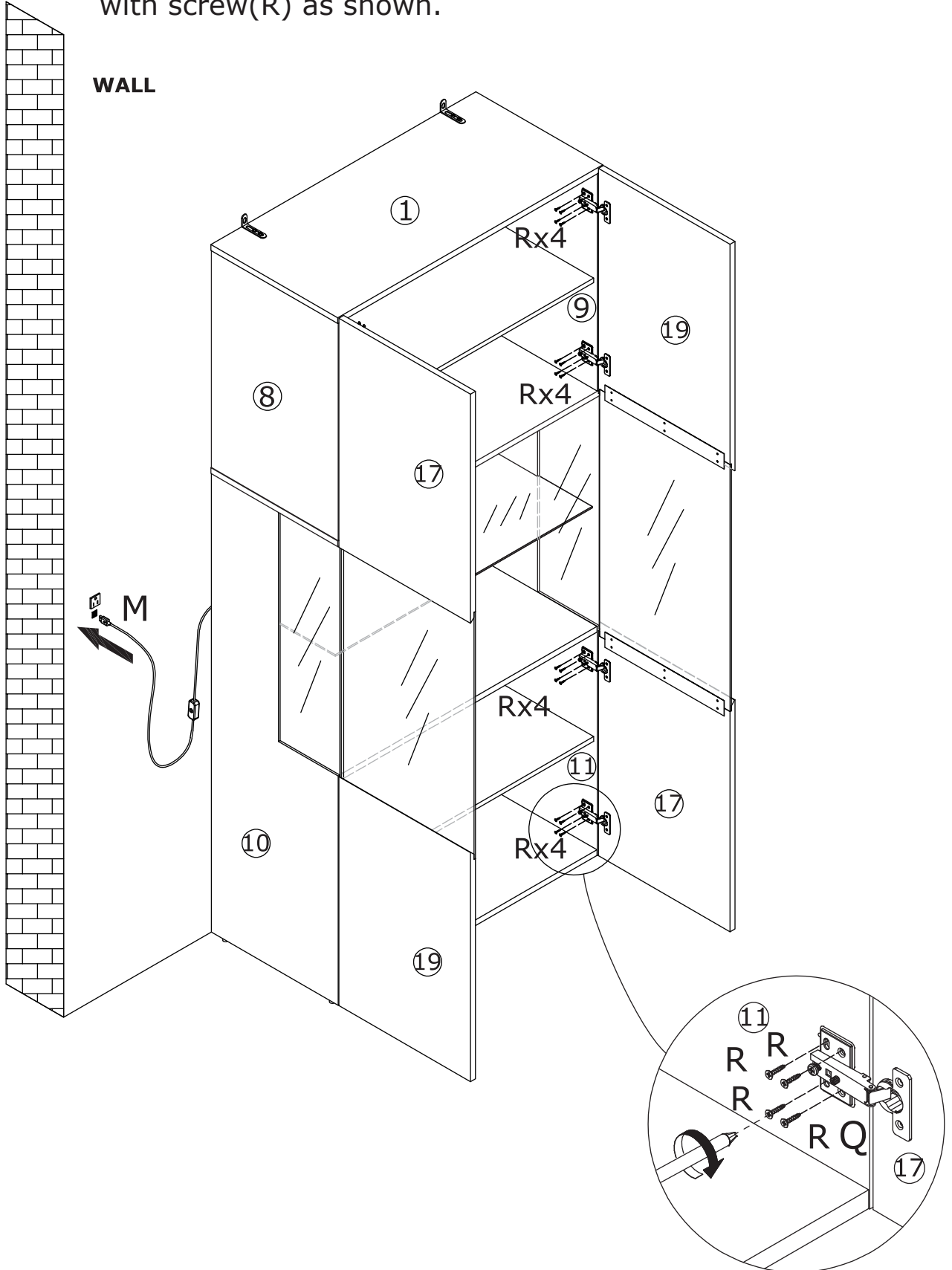
R x 32



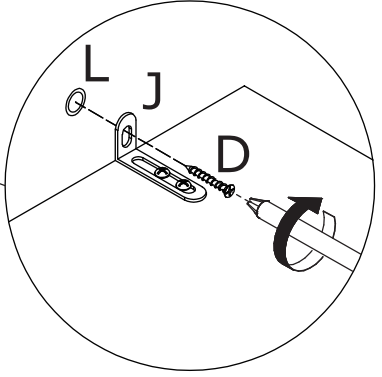
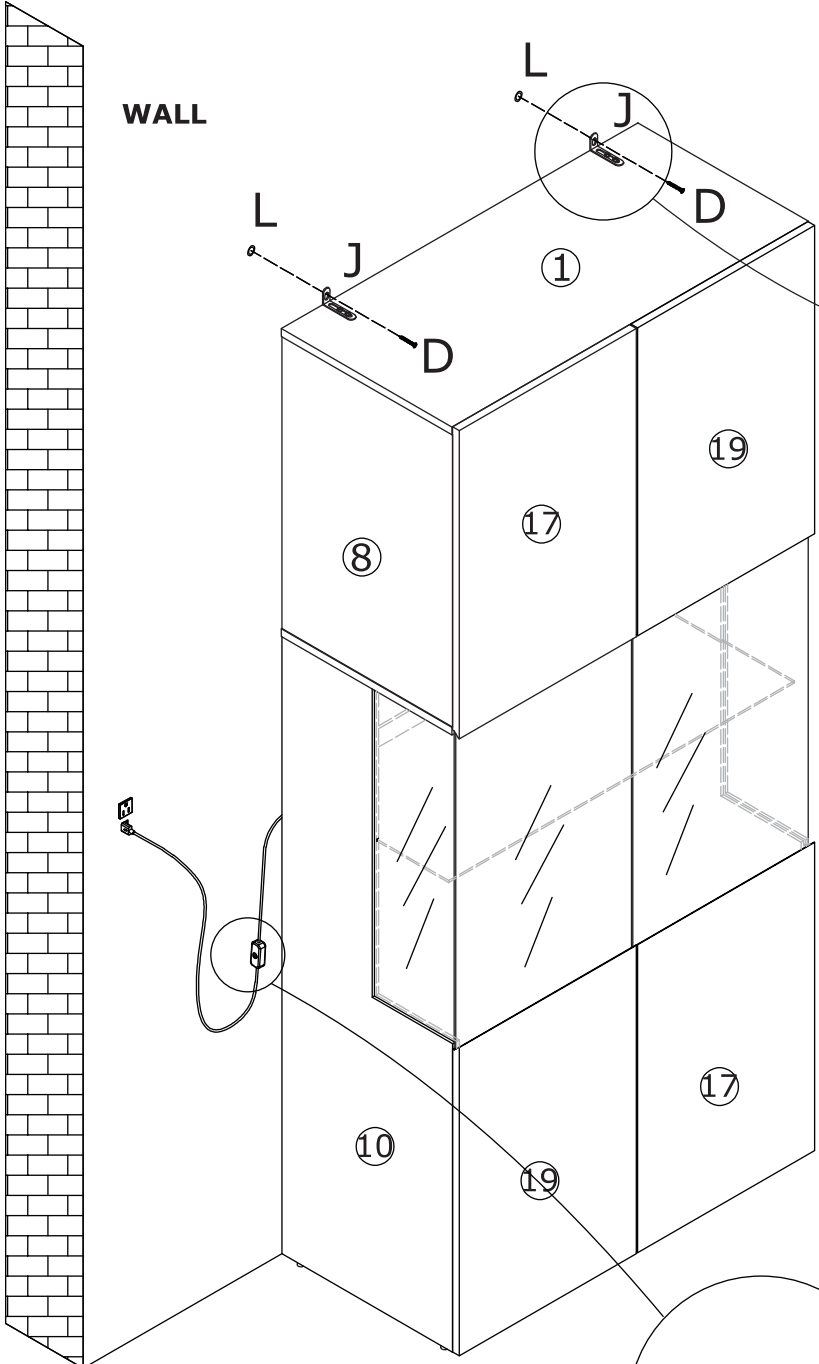
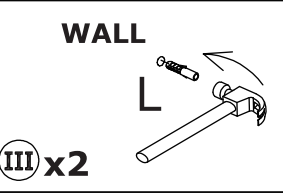
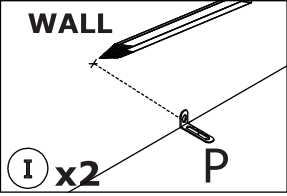
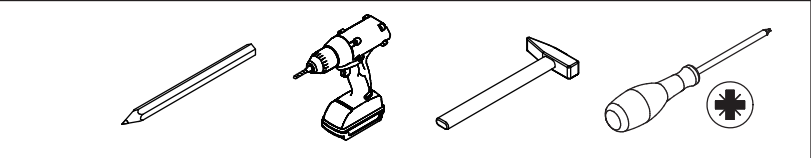
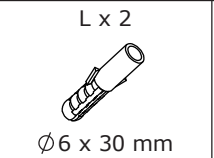
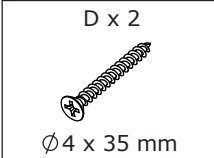
Ø4 x 14 mm



Assemble door 19 and 17 to the cabinet by fixing hinge with screw(R) as shown.



22



Install anti-tipping device as shown.

