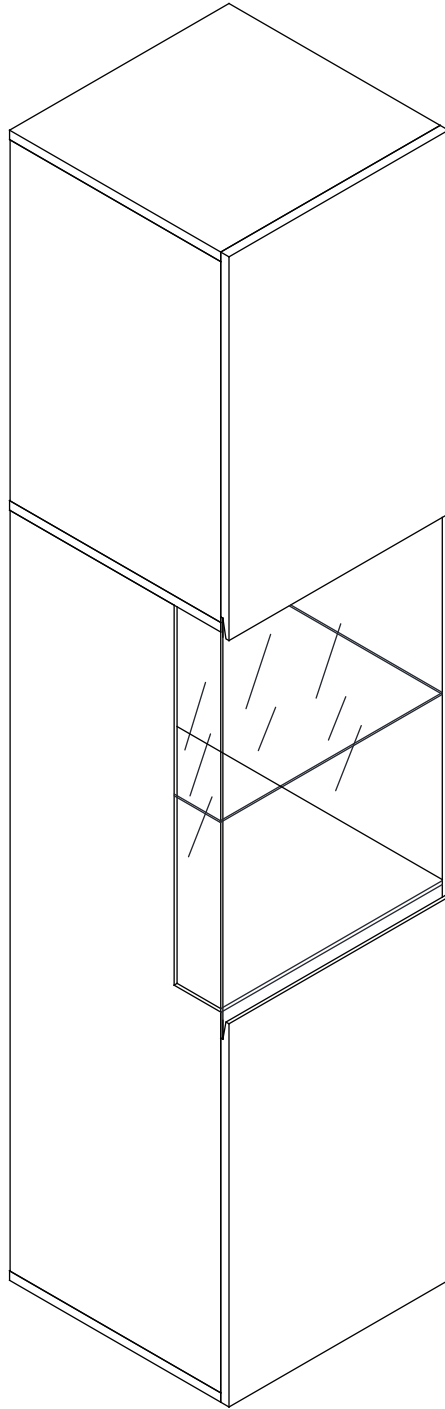
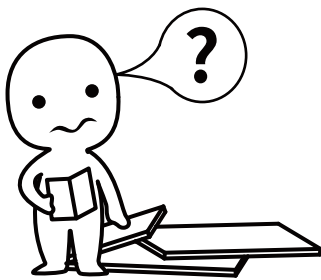


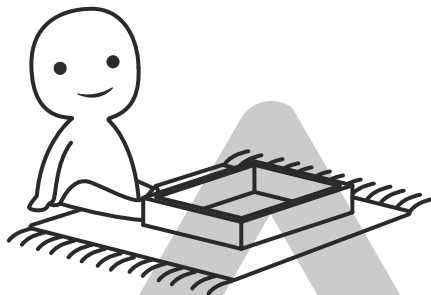
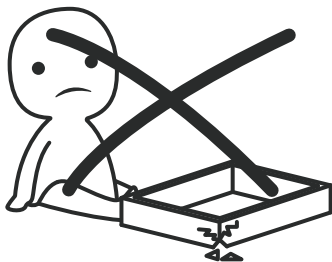
Display Cabinet





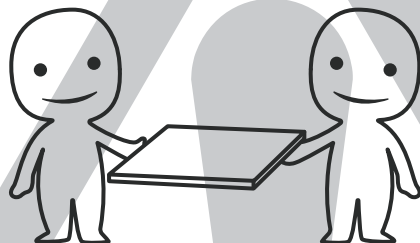
IMPORTANT INFORMATION!

please read the entire manual before starting to assemble and/or using this product. follow the manual thoroughly and keep it for further reference.



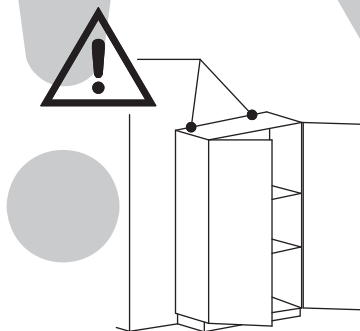
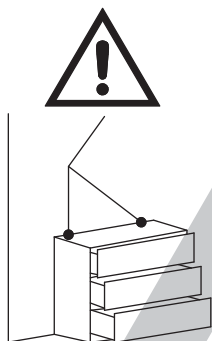
AVOID SCRATCHES!

In order to avoid scratching this furniture should be assembled on a soft layer- could be a rug.



IMPROVE EFFICIENCY !

Try to find a partner to install with you, which can speed up the installation efficiency and shorten the time.



ANTI-TOPPLE WARNING !

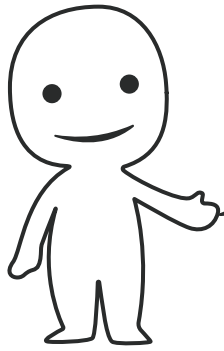
Overturnd furniture can cause serious or fatal crush injuries. To prevent tipping over, be sure to use the wall attachment, if not included with this product. Please purchase the wall attachment that fit your wall. If unsure, seek professional advice. Please read and follow each step of the instructions carefully.

IMPORTANT !

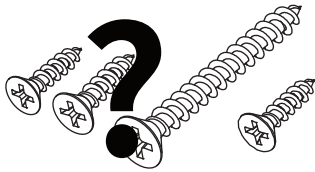
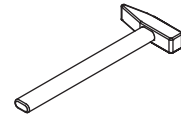
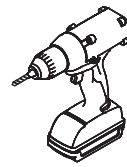
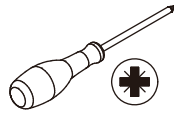
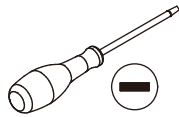
It is important that any product which is assembled using any kind of screw is re-tightened 2 weeks after assembly, and once every 3 months - in order to assure stability through-out the lifespan of the product.

For regular maintenance and cleaning of the product, for the frame, please use a rag dipped in neutral detergent to fully wipe it, and then dry it with a clean rag. For glass materials, wipe with a rag dampened with water glass cleaner, and then dry with a dry rag.

Do not use an electric screwdriver, and do not use too much force when installing, because the board is easy to break.

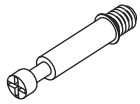


Please prepare the following tools



When installing, please carefully confirm whether each screw corresponds to the manual, accessories with similar shapes can be distinguished by size

Ax20



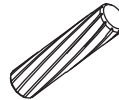
Ø6x35mm

Bx20



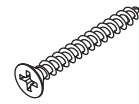
Ø15x10mm

Cx24



Ø6x30mm

Dx8



Ø4x35mm

Ex16



Ø3.5x12mm

Fx4



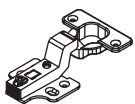
Gx4



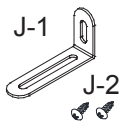
Hx1



Ix4



Jx2

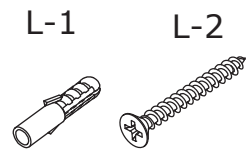


Kx4



Ø4x25mm

Lx2



Ø4x35mm

Mx2



Nx16

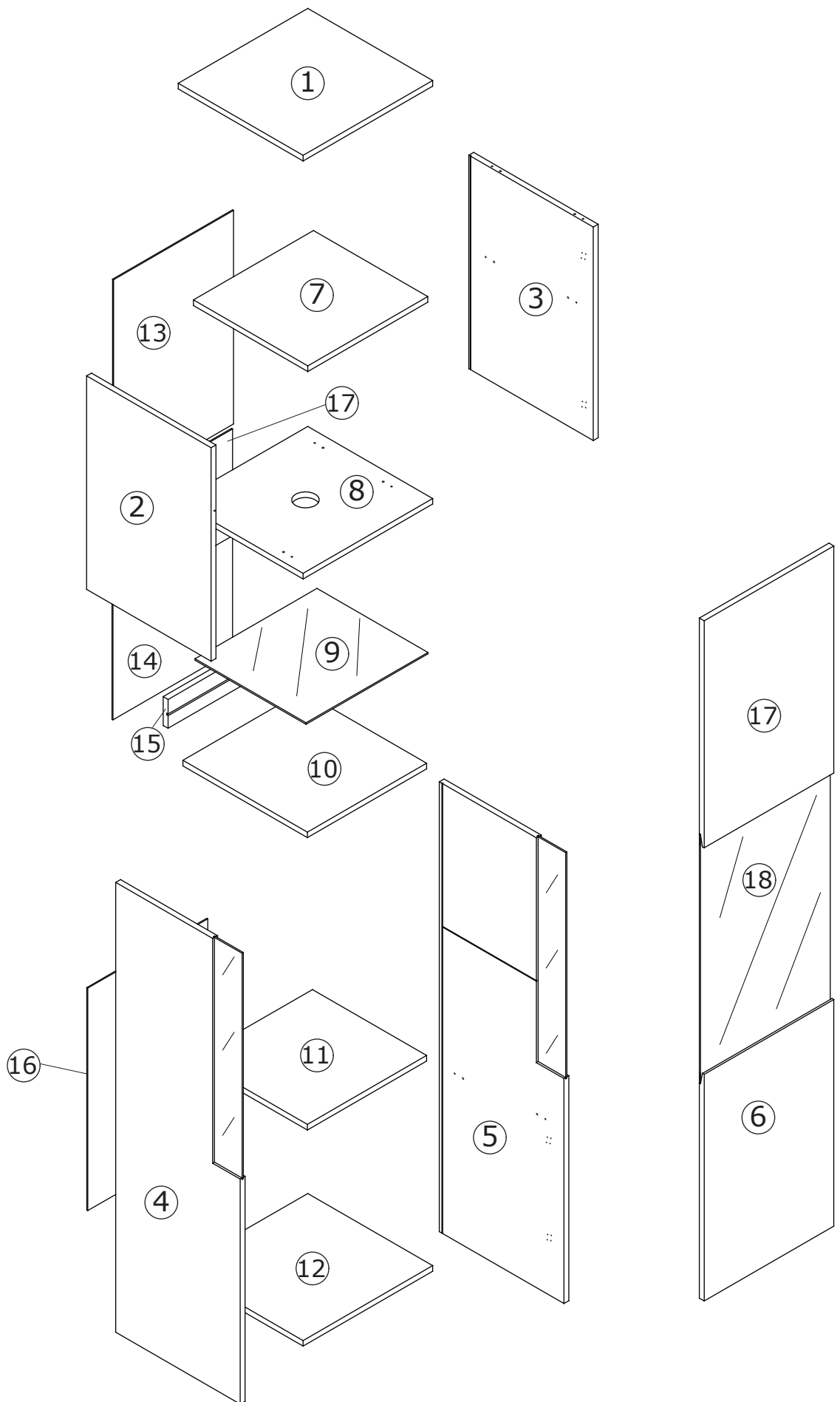


Ø3x16mm

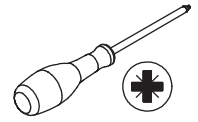
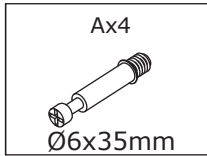
Ox24



Ø4x14mm

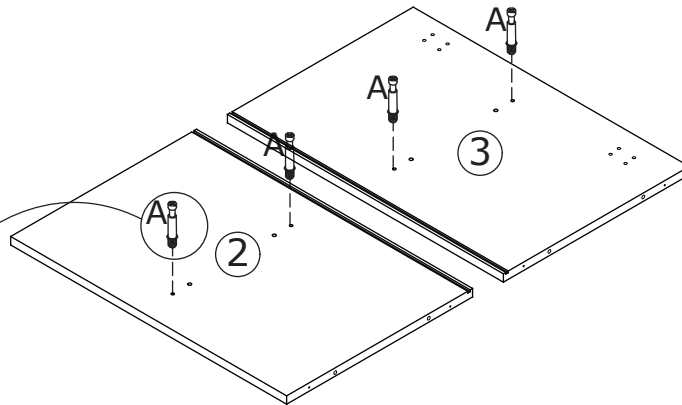
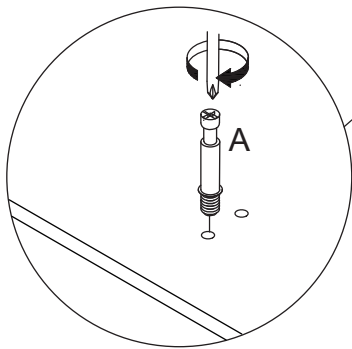
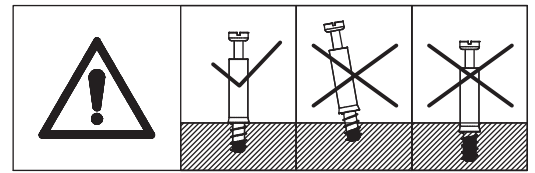


1

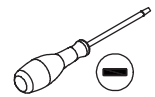
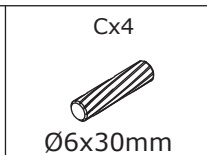
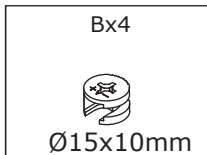


Insert quickfit screw A to corresponding holes in panel 2&3.

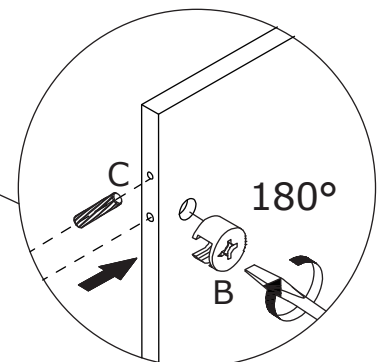
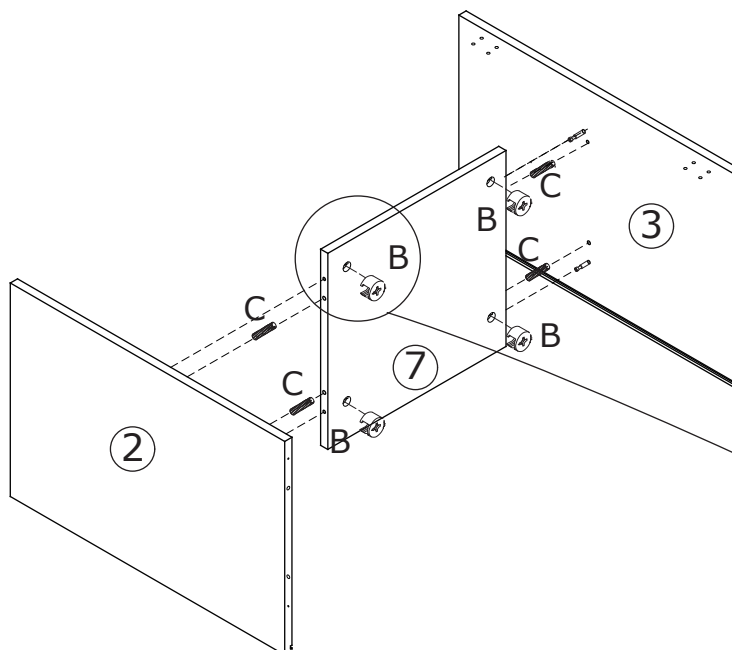
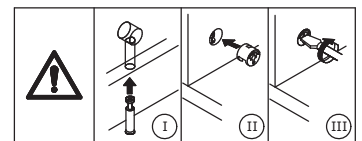
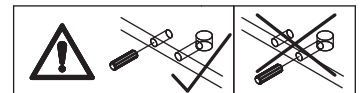
Do not use an electric screwdriver, do not use force during the rotation of the accessories, otherwise it may cause the board to crack



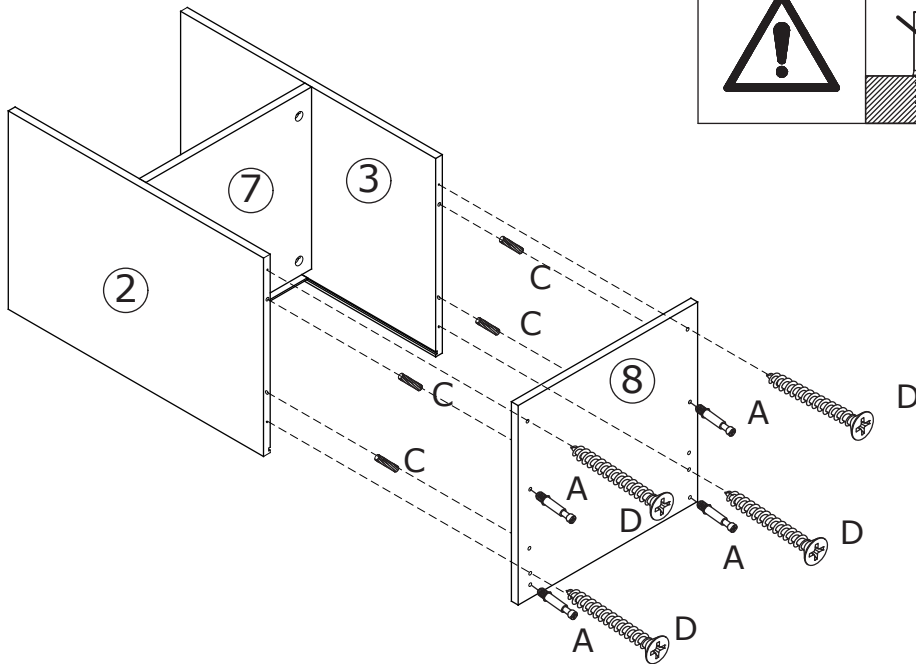
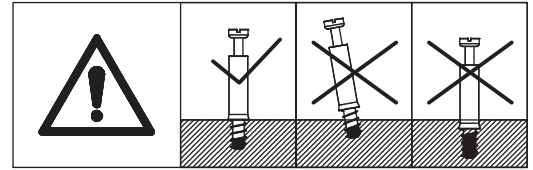
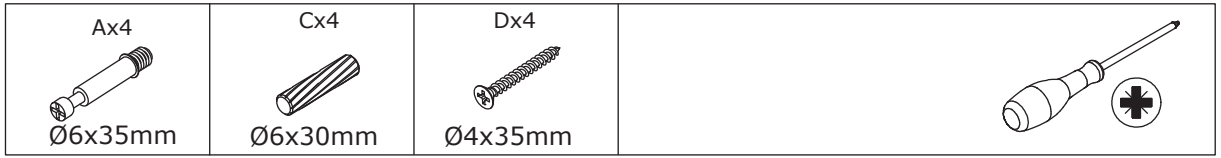
2



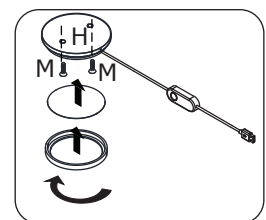
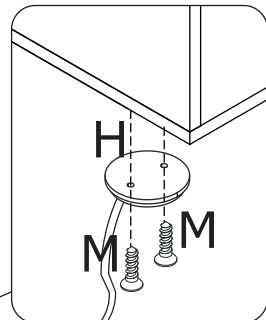
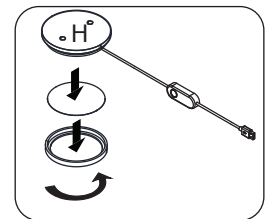
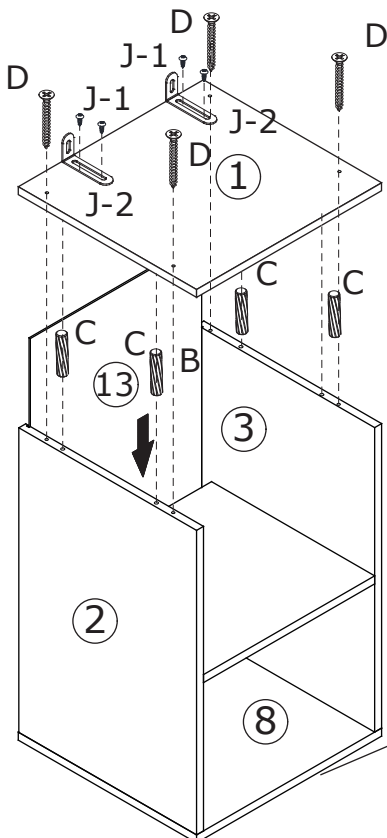
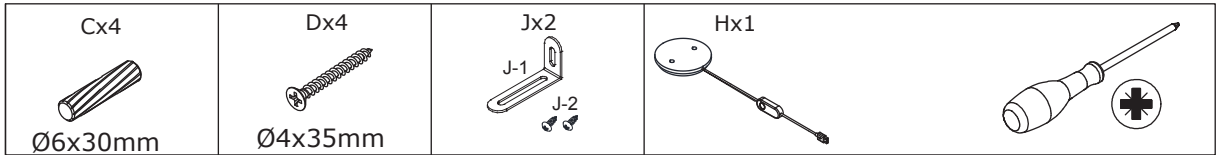
Please pay attention to the holes where






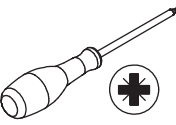
3

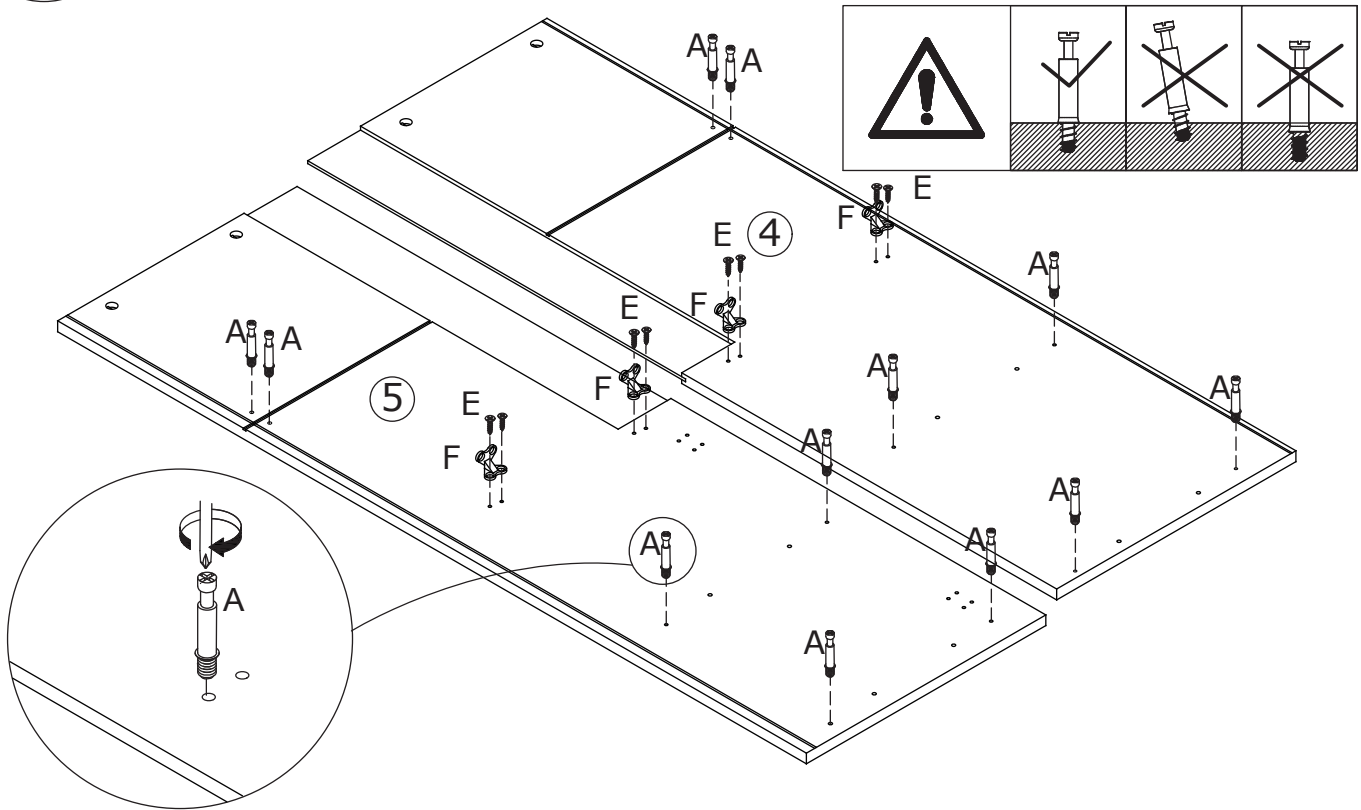


4


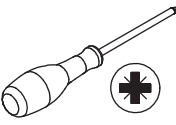


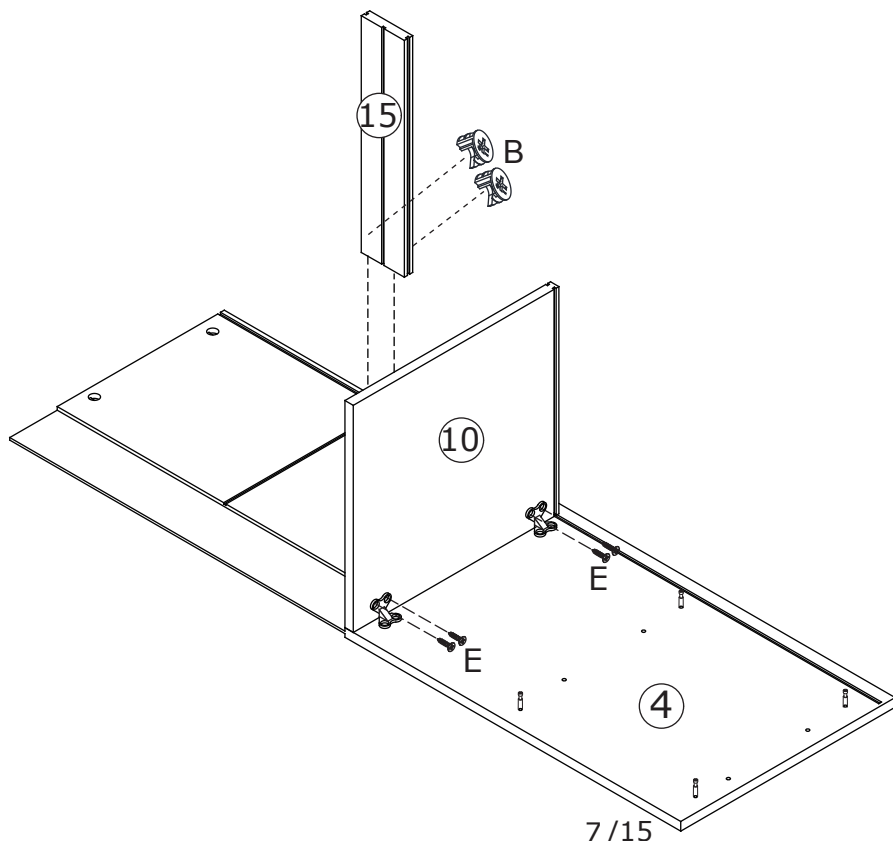
5

Ax12  Ø6x35mm	Ex8  Ø3.5x12mm	Fx4 	
--	---	--	---




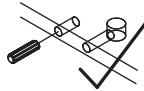
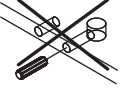

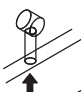
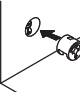

6

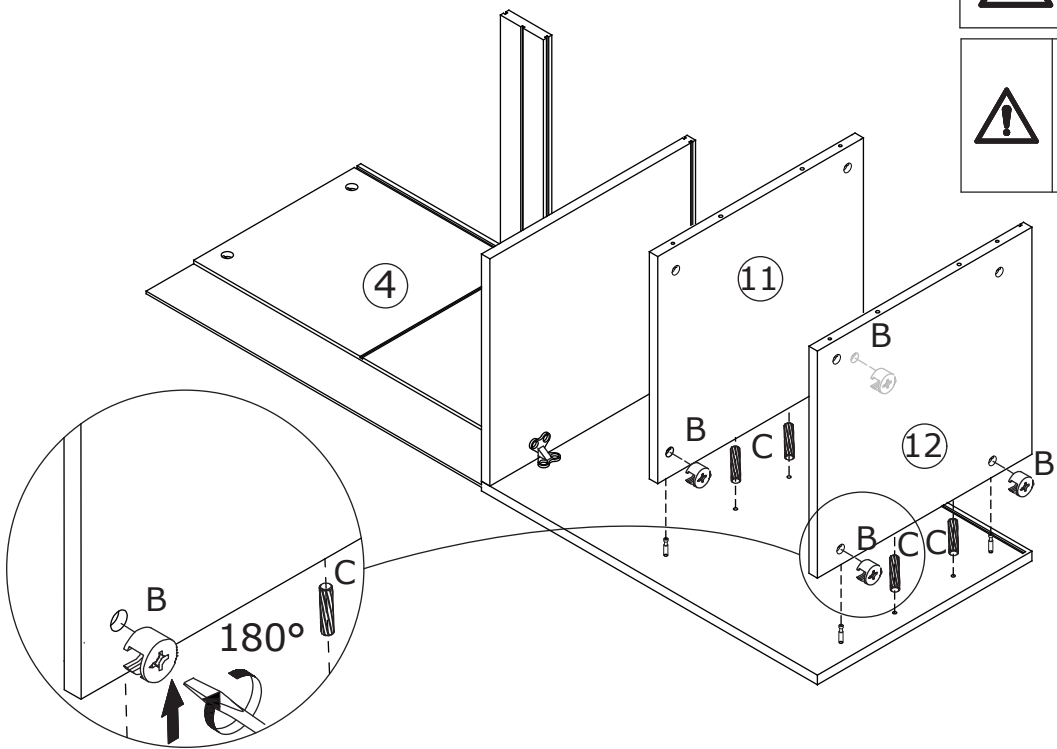
Ex4  Ø3.5x12mm	Bx2  Ø15x10mm	
---	--	---



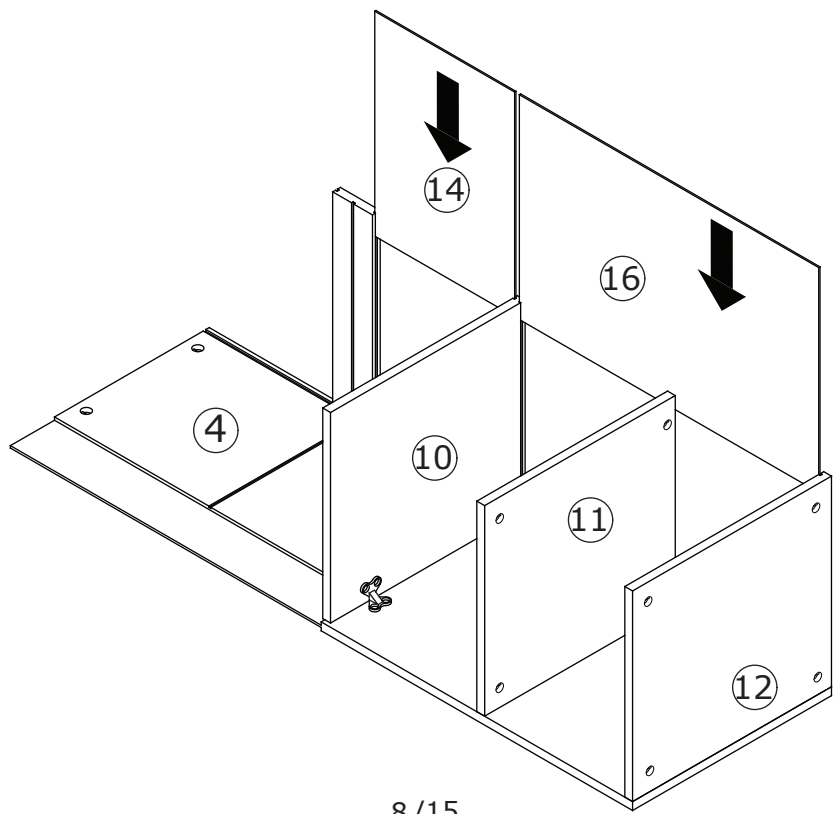
7

Bx4  Ø15x10mm	Cx4  Ø6x30mm	
--	---	---

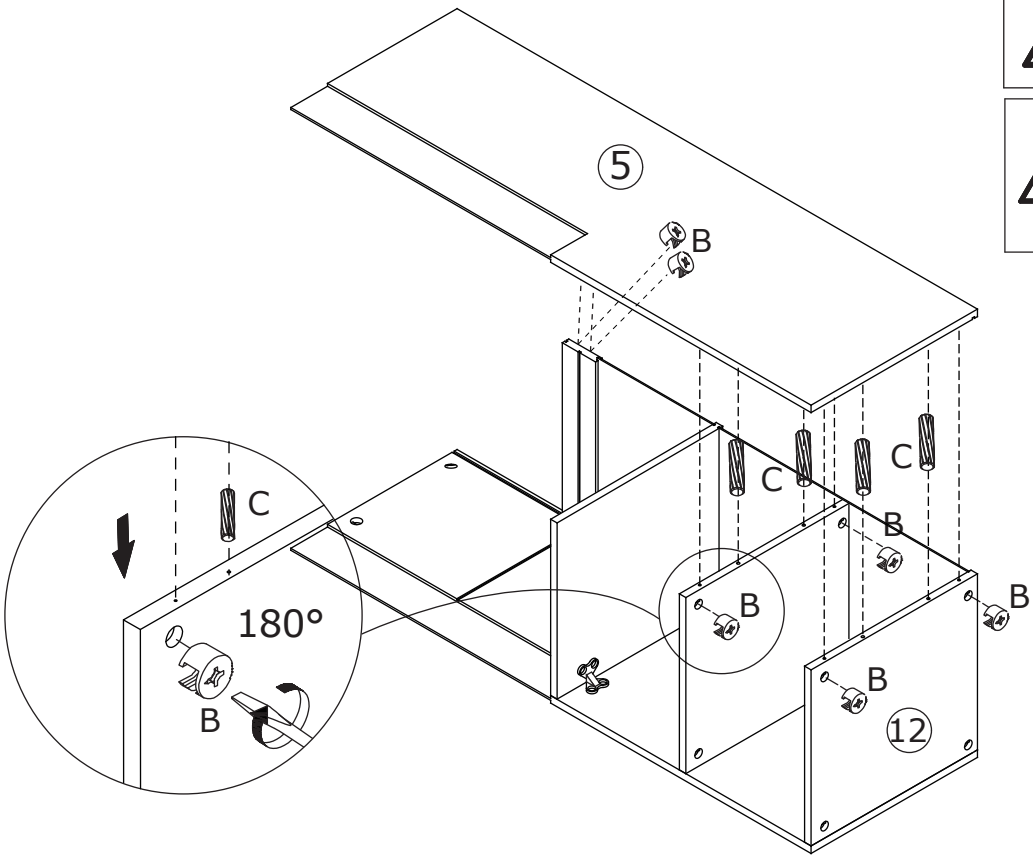
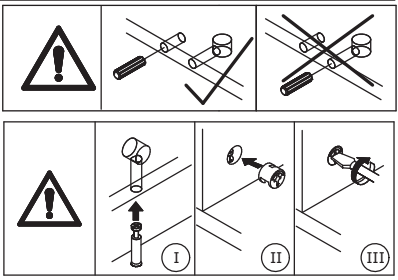


8



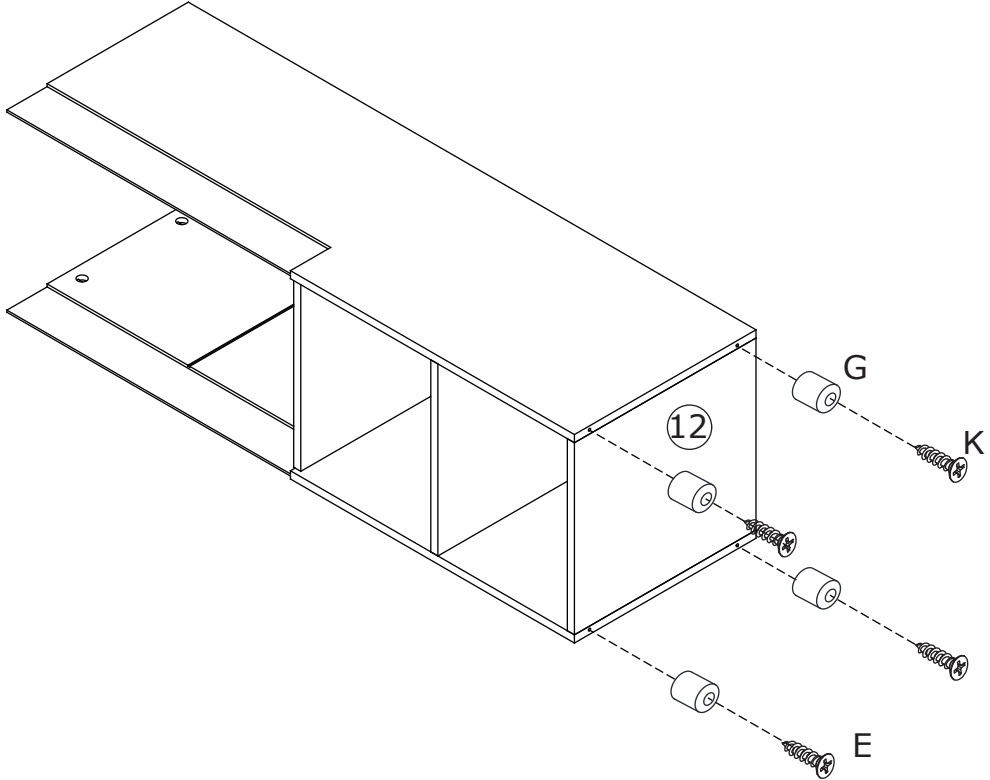
9

Bx6  Ø15x10mm	Cx4  Ø6x30mm	
--	---	---



10

Kx4  Ø4x25mm	Gx4 	
---	--	---

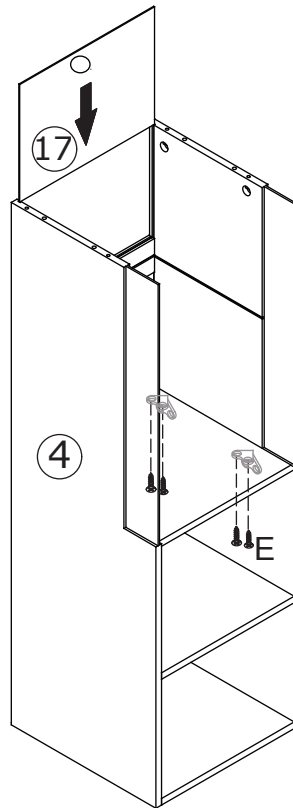
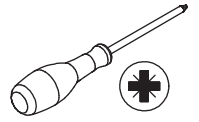


11

Ex4



Ø3.5x12mm



12

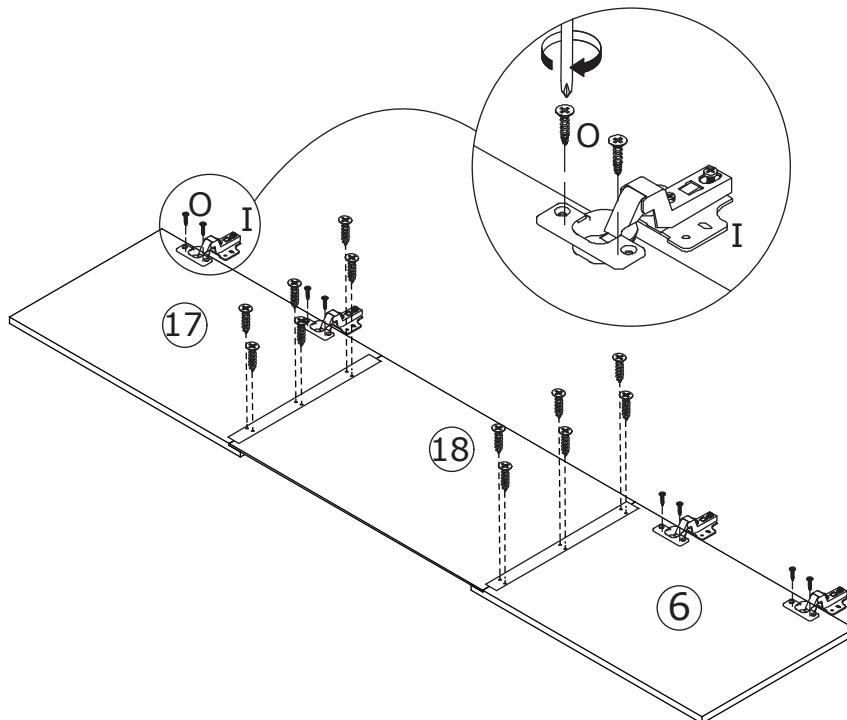
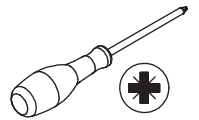
Ix4





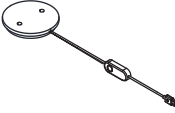
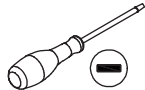
Ox8

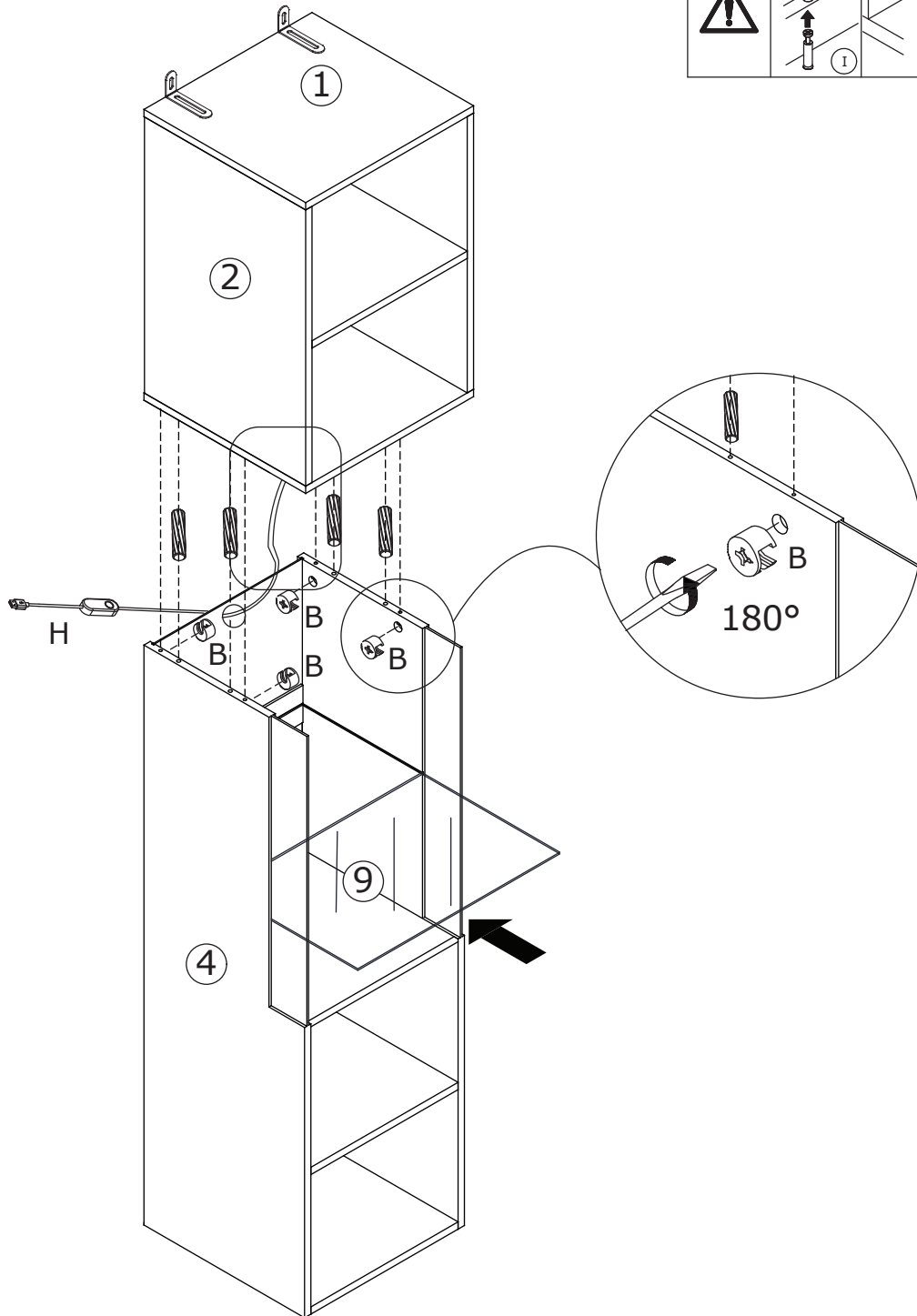
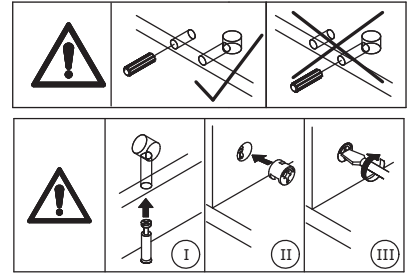


Ø4x14mm



13

Bx4  Ø15x10mm	Cx4  Ø6x30mm	Hx1 	
--	---	--	---

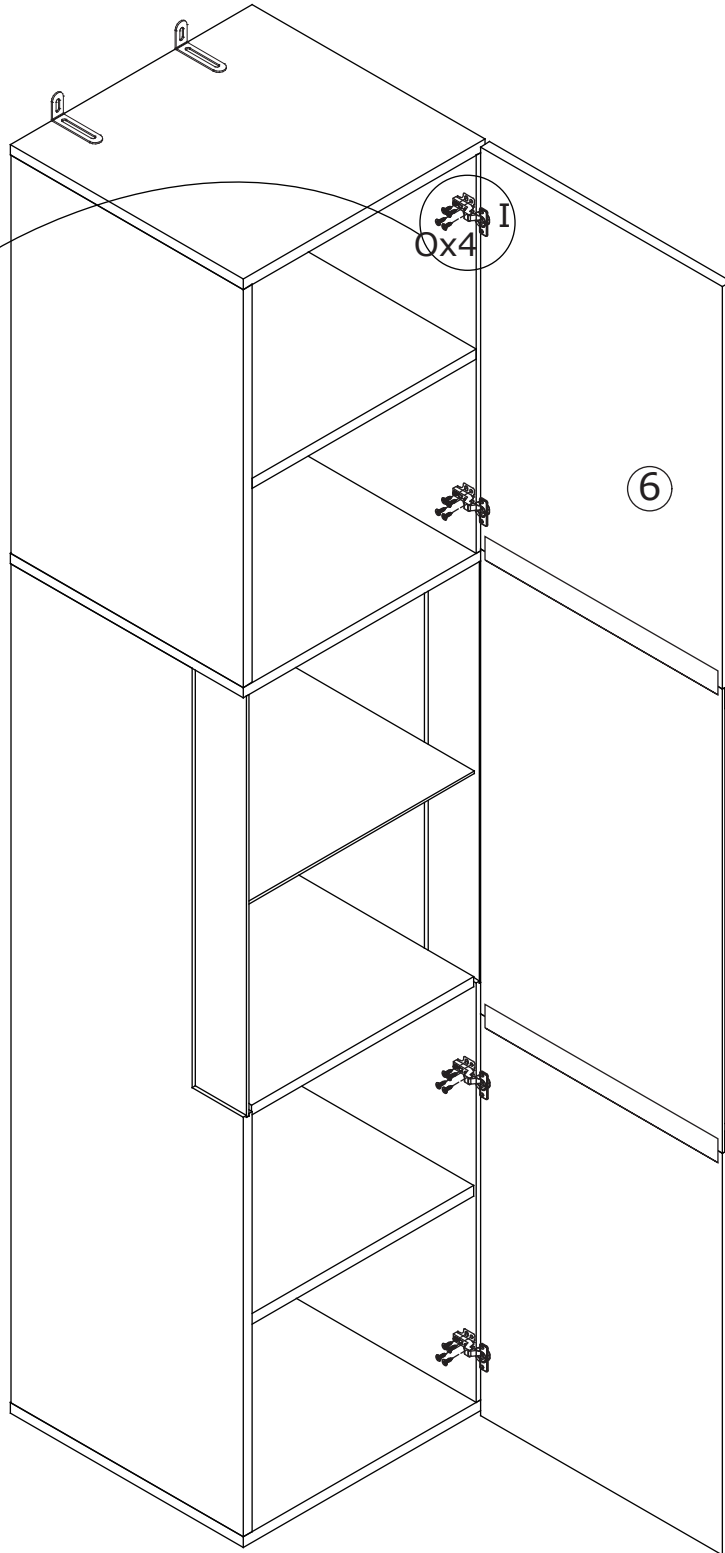
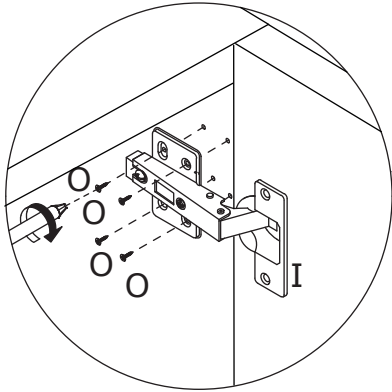


14

Ox16

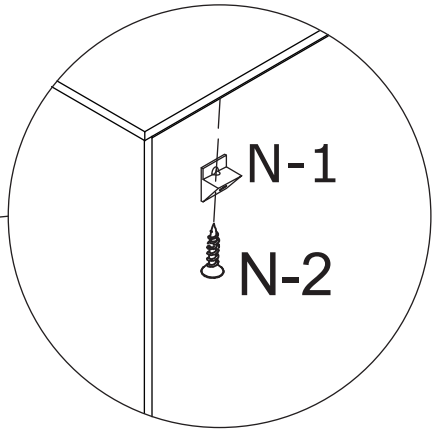
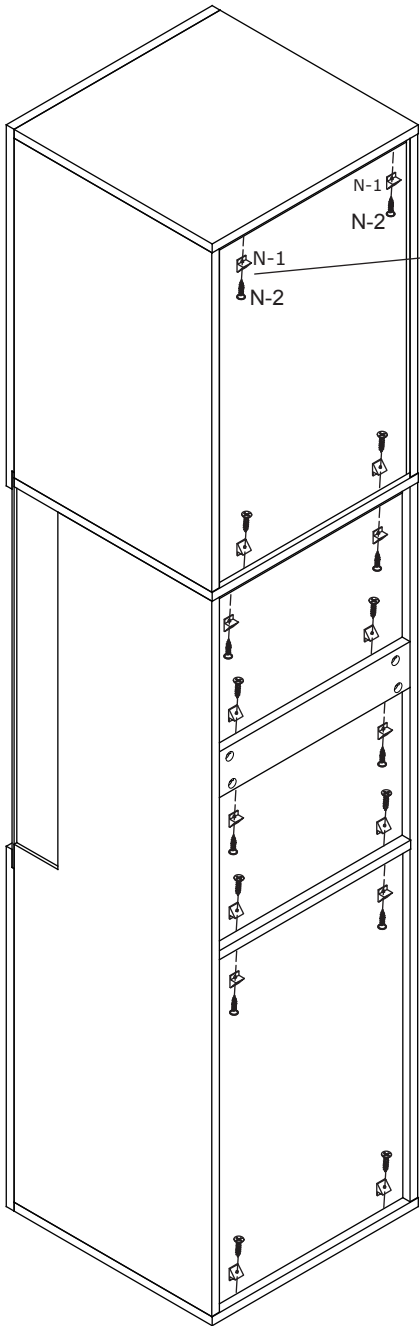


Ø4x14mm



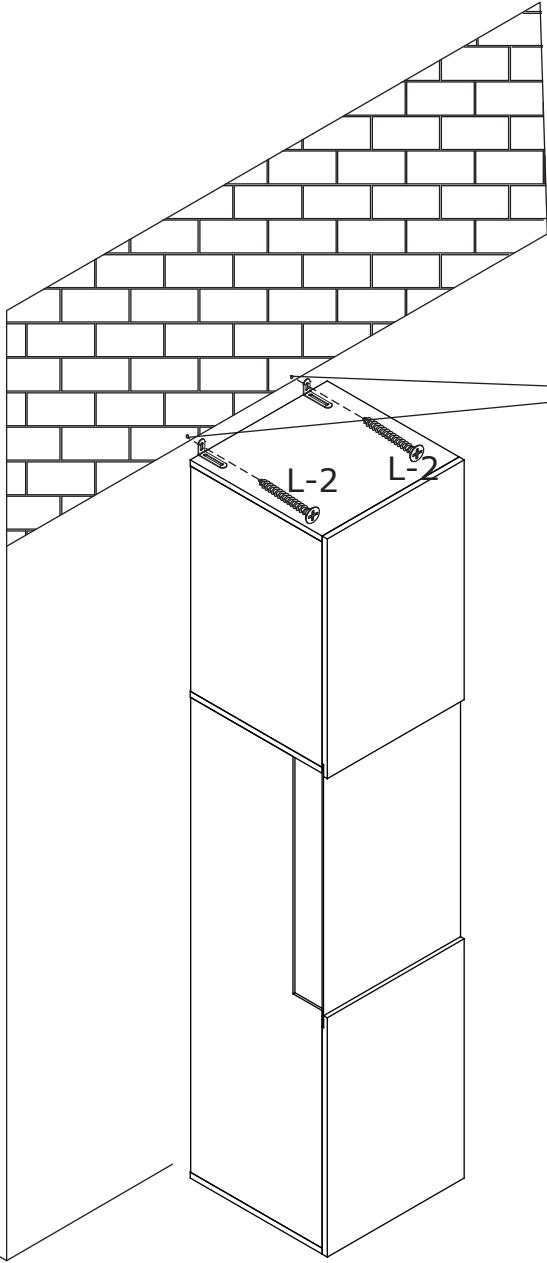
15

Nx16 N-1 N-2 Ø3x16mm	 
----------------------------	---

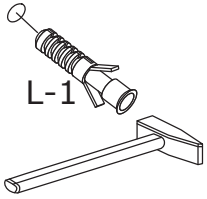
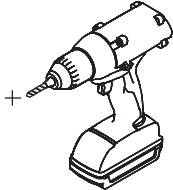
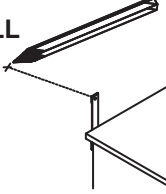


16

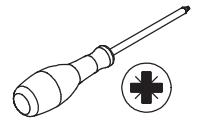
Lx2
L-1 L-2
Ø4x35mm



WALL



17



If there is misalignment after you install, adjust the screw to the best condition.

